

DATASHEET

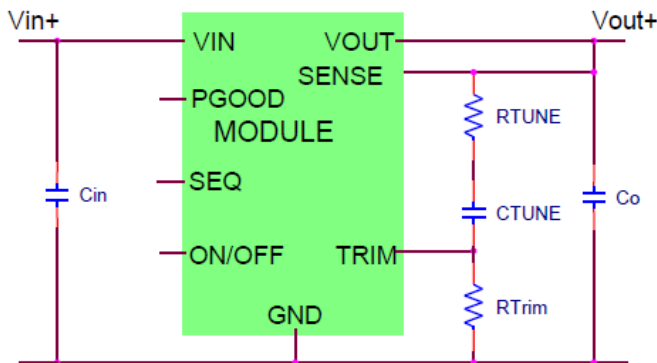
# 12V PicoTLynx™ 6A: Non-Isolated DC-DC Power Module

4.5Vdc –14Vdc input; 0.59Vdc to 5.5Vdc output; 6A Output Current

RoHS Compliant



EZ-SEQUENCE™



## Description

The 12V Pico TLynx™ 6A power modules are non-isolated dc-dc converters that can deliver up to 6A of output current. These modules operate over a wide range of input voltage ( $V_{IN}=4.5V_{dc}-14V_{dc}$ ) and provide a precisely regulated output voltage from  $0.59V_{dc}$  to  $5.5V_{dc}$ , programmable via an external resistor. Features include remote On/Off, adjustable output voltage, over current and over temperature protection, and output voltage sequencing (APTS versions). A new feature, the Tunable Loop™, allows the user to optimize the dynamic response of the converter to match the load with reduced amount of output capacitance leading to savings on cost and PWB area.

## Applications

- Distributed power architectures
- Intermediate bus voltage applications
- Telecommunications equipment
- Servers and storage applications
- Networking equipment
- Industrial equipment

See Footnote on Page No. 2

## Features

- Compliant to RoHS Directive 2011/65/EU and amended Directive (EU) 2015/863
- Compliant to REACH Directive (EC) No 1907/2006
- Compatible in a Pb-free or SnPb reflow environment (Z-versions)
- DOSA based
- Wide Input voltage range ( $4.5V_{dc}$ - $14V_{dc}$ )
- Output voltage programmable from  $0.59V_{dc}$  to  $5.5V_{dc}$  via external resistor
- Tunable Loop™ to optimize dynamic output voltage response
- Flexible output voltage sequencing EZ-SEQUENCE (APTS versions)
- Remote sense
- Power Good signal
- Fixed switching frequency
- Output overcurrent protection (non-latching)
- Overtemperature protection
- Remote On/Off
- Ability to sink and source current
- Cost efficient open frame design
- Small size: 12.2 mm x 12.2 mm x 7.25 mm (0.48 in x 0.48 in x 0.29 in)
- Wide operating temperature range [-40°C to 85°C]
- ANSI/UL\* 62368-1 and CAN/CSA† C22.2 No. 62368-1 Recognized, DIN VDE‡ 0868-1/A11:2017 (EN62368- 1:2014/A11:2017)
- ISO\*\* 9001 and ISO 14001 certified manufacturing facilities

### FOOTNOTES

\* UL is a registered trademark of Underwriters Laboratories, Inc.

† CSA is a registered trademark of Canadian Standards Association.

‡ VDE is a trademark of Verband Deutscher Elektrotechniker e.V.

\*\* ISO is a registered trademark of the International Organization of Standards

## Technical Specifications

### Absolute Maximum Ratings

Stresses in excess of the absolute maximum ratings can cause permanent damage to the device. These are absolute stress ratings only, functional operation of the device is not implied at these or any other conditions in excess of those given in the operations sections of the data sheet. Exposure to absolute maximum ratings for extended periods can adversely affect the device reliability.

Parameter	Device	Symbol	Min	Max	Unit
Input Voltage Continuous	All	$V_{IN}$	-0.3	15	$V_{dc}$
Sequencing Voltage	APTS	$V_{SEQ}$	-0.3	$V_{IN}$	Vdc
Operating Ambient Temperature (see Thermal Considerations section)	All	$T_A$	-40	85	$^{\circ}C$
Storage Temperature	All	$T_{stg}$	-55	125	$^{\circ}C$

### Electrical Specifications

Unless otherwise indicated, specifications apply over all operating input voltage, resistive load, and temperature conditions.

Parameter	Device	Symbol	Min	Typ	Max	Unit
Operating Input Voltage	All	$V_{IN}$	4.5	-	14	$V_{dc}$
Maximum Input Current ( $V_{IN} = 4.5V$ to $14V$ , $I_O = I_{O, max}$ )	All	$I_{IN, max}$			6.5	$A_{dc}$
Input No Load Current ( $V_{IN} = 12.0V_{dc}$ , $I_O = 0$ , module enabled)	$V_{O, set} = 0.6V_{dc}$	$I_{IN, no load}$		16		mA
	$V_{O, set} = 3.3V_{dc}$	$I_{IN, no load}$		55		mA
Input Stand-by Current ( $V_{IN} = 12.0V_{dc}$ , module disabled)	All	$I_{IN, stand-by}$		1.2		mA
Inrush Transient	All	$I^2t$			1	$A^2s$
Input Reflected Ripple Current, peak-to-peak (5Hz to 20MHz, $12\mu H$ source impedance; $V_{IN}=0V$ to $14V$ $I_O = I_{O, max}$ ; see Test configuration section)	All			86		$mA_{p-p}$
Input Ripple Rejection (120Hz)	All			50		dB

**CAUTION: This power module is not internally fused. An input line fuse must always be used.**

This power module can be used in a wide variety of applications, ranging from simple standalone operation to being part of complex power architecture. To preserve maximum flexibility, internal fusing is not included; however, to achieve maximum safety and system protection, always use an input line fuse. The safety agencies require a fast-acting fuse with a maximum rating of 6A (see Safety Considerations section). Based on the information provided in this data sheet on inrush energy and maximum dc input current, the same type of fuse with a lower rating can be used. Refer to the fuse manufacturer's data sheet for further information.

## Technical Specifications (continued)

### Electrical Specifications (continued)

Parameter	Device	Symbol	Min	Typ	Max	Unit
Output Voltage Set-point (with 0.5% tolerance for external resistor used to set output voltage)	All	$V_{O, set}$	-1.5		+1.5	% $V_{O, set}$
Output Voltage (Over all operating input voltage, resistive load, and temperature conditions until end of life)	All	$V_{O, set}$	-2.5	-	+2.5	% $V_{O, set}$
Adjustment Range (selected by an external resistor) (Some output voltages may not be possible depending on the input voltage – see Feature Descriptions Section)	All	$V_O$	0.59		5.5	$V_{dc}$
Remote Sense Range	All				0.5	$V_{dc}$
Output Regulation (for $V_O \geq 2.5V_{dc}$ )						
Line ( $V_{IN}=V_{IN, min}$ to $V_{IN, max}$ )	All			-	+0.4	% $V_{O, set}$
Load ( $I_O=I_{O, min}$ to $I_{O, max}$ )	All			-	10mV	% $V_{O, set}$
Temperature ( $T_{ref}=T_{A, min}$ to $T_{A, max}$ )	All			-	+0.4	% $V_{O, set}$
Output Regulation (for $V_O < 2.5V_{dc}$ )						
Line ( $V_{IN}=V_{IN, min}$ to $V_{IN, max}$ )	All			-	10	mV
Load ( $I_O=I_{O, min}$ to $I_{O, max}$ )	All			-	5	mV
Temperature ( $T_{ref}=T_{A, min}$ to $T_{A, max}$ )	All			-	5	mV
Output Ripple and Noise on nominal output ( $V_{IN}=V_{IN, nom}$ and $I_O=I_{O, min}$ to $I_{O, max}$ $C_O = 0.1\mu F // 10 \mu F$ ceramic Capacitors)			-			
Peak-to-Peak (5Hz to 20MHz bandwidth)	All			50	100	mV <sub>pk-pk</sub>
RMS (5Hz to 20MHz bandwidth)	All			20	38	mV <sub>rms</sub>
External Capacitance <sup>1</sup>						
Without the Tunable Loop™						
ESR $\geq 1 m\Omega$	All	$C_{O, max}$	0	-	47	$\mu F$
With the Tunable Loop™						
ESR $\geq 0.15 m\Omega$	All	$C_{O, max}$	0	-	1000	$\mu F$
ESR $\geq 10 m\Omega$	All	$C_{O, max}$	0	-	3000	$\mu F$
Output Current (in either sink or source mode)	All	$I_O$	0		6	$A_{dc}$
Output Current Limit Inception (Hiccup Mode) (current limit does not operate in sink mode)	All	$I_{O, lim}$			200	% $I_{O, max}$
Output Short-Circuit Current ( $V_O \leq 250mV$ ) ( Hiccup Mode )	All	$I_{O, s/c}$		170		mA
Efficiency						
$V_{IN} = 12V_{dc}$ , $T_A = 25^\circ C$	$V_{O, set} = 0.6 V_{dc}$	$\eta$		69.3		%
	$V_{O, set} = 1.2 V_{dc}$	$\eta$		80.7		%
	$V_{O, set} = 1.8 V_{dc}$	$\eta$		85.3		%
	$V_{O, set} = 2.5 V_{dc}$	$\eta$		88.1		%
	$V_{O, set} = 3.3 V_{dc}$	$\eta$		90.8		%
	$V_{O, set} = 5.0 V_{dc}$	$\eta$		93.6		%
Switching Frequency	All	$f_{sw}$	-	600	-	kHz

External capacitors may require using the new Tunable Loop™ feature to ensure that the module is stable as well as getting the best transient response. See the Tunable Loop™ section for details.

### General Specifications

Parameter	Device	Min	Typ	Max	Unit
Calculated MTBF ( $I_O=0.8 I_{O, max}$ , $T_A=40^\circ C$ ) Telecordia Issue 2 Method 1 Case 3	APTS		14,353,850		Hours
	APXS		22,280,045		Hours
Weight		-	1.95 (0.0687)	-	g (oz.)

## Technical Specifications (continued)

### Feature Specifications

Unless otherwise indicated, specifications apply over all operating input voltage, resistive load, and temperature conditions. See Feature Descriptions for additional information.

Parameter	Device	Symbol	Min	Typ	Max	Unit
On/Off Signal Interface ( $V_{IN}=V_{IN, min}$ to $V_{IN, max}$ ; open collector or equivalent, Signal referenced to GND) Device is with suffix "4" – Positive Logic (See Ordering Information) Logic High (Module ON) Input High Current Input High Voltage Logic Low (Module OFF) Input Low Current Input Low Voltage	All All All All	$I_{IH}$ $V_{IH}$ $I_{IL}$ $V_{IL}$	- 3.5 - -0.3	- - - -	10 $V_{IN, max}$ 1 0.8	$\mu A$ V mA V
Device Code with no suffix – Negative Logic (See Ordering Information) (On/OFF pin is open collector/drain logic input with external pull-up resistor; signal referenced to GND) Logic High (Module OFF) Input High Current Input High Voltage Logic Low (Module ON) Input low Current Input Low Voltage	All All All All	$I_{IH}$ $V_{IH}$ $I_{IL}$ $V_{IL}$	- 3.5 - -0.2	- - - -	1 $V_{IN, max}$ 10 0.6	mA $V_{dc}$ $\mu A$ $V_{dc}$
Turn-On Delay and Rise Times ( $V_{IN}=V_{IN, nom}$ , $I_O=I_{O, max}$ , $V_O$ to within $\pm 1\%$ of steady state)						
Case 1: On/Off input is enabled and then input power is applied (delay from instant at which $V_{IN} = V_{IN, min}$ until $V_O = 10\%$ of $V_{O, set}$ )	All	$T_{delay}$	-	2	-	msec
Case 2: Input power is applied for at least one second and then the On/Off input is enabled (delay from instant at which $V_{on/Off}$ is enabled until $V_O = 10\%$ of $V_{O, set}$ )	All	$T_{delay}$	-	2	-	msec
Output voltage Rise time (time for $V_O$ to rise from 10% of $V_{O, set}$ to 90% of $V_{O, set}$ )	All	$T_{rise}$	-	4	-	msec
Output voltage overshoot ( $T_A = 25^\circ C$ $V_{IN} = V_{IN, min}$ to $V_{IN, max}$ , $I_O = I_{O, min}$ to $I_{O, max}$ ) With or without maximum external capacitance					3.0	% $V_{O, set}$
Over Temperature Protection (See Thermal	All	$T_{ref}$		140		$^\circ C$
Tracking Accuracy (Power-Up: 2V/ms) (Power-Down: 2V/ms) ( $V_{IN, min}$ to $V_{IN, max}$ ; $I_{O, min}$ to $I_{O, max}$ $V_{SEQ} < V_O$ )	APTS APTS	$V_{SEQ} - V_O$ $V_{SEQ} - V_O$			100 100	mV mV
Input Undervoltage Lockout Turn-on Threshold Turn-off Threshold Hysteresis	All All All				4.3	$V_{dc}$ $V_{dc}$ $V_{dc}$
PGOOD (Power Good) Signal Interface Open Drain, V supply $\pm 5VDC$ Output Voltage Limit for PGOOD Pulldown resistance of PGOOD pin	All All		90 %	7	110%	$V_{O, set}$ $\Omega$

# Technical Specifications (continued)

## Characteristic Curves

The following figures provide typical characteristics for the 12V Pico TLynx™ 6A at 0.6Vo and at 25°C.

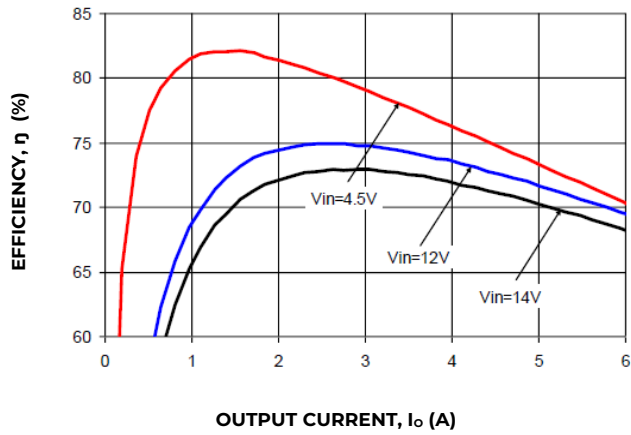


Figure 1. Converter Efficiency versus Output Current.

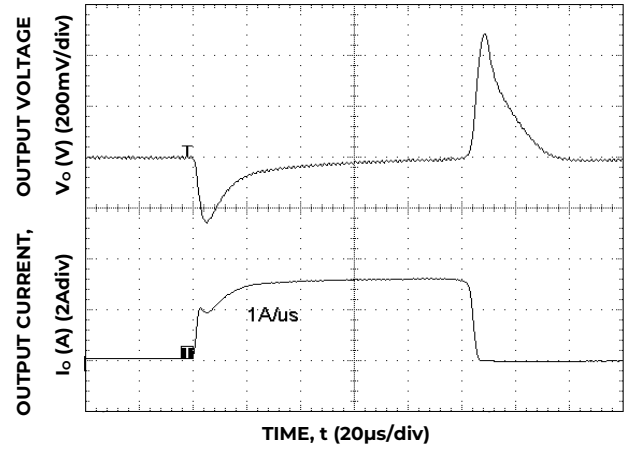


Figure 4. Transient Response to Dynamic Load Change from 50% to 0% .

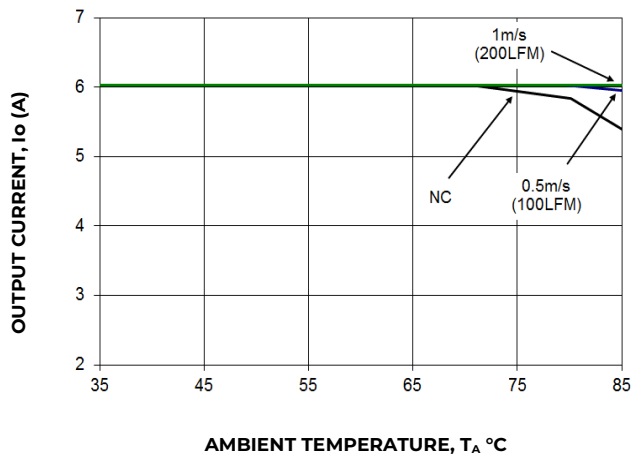


Figure 2. Derating Output Current versus Local Ambient Temperature and Airflow.

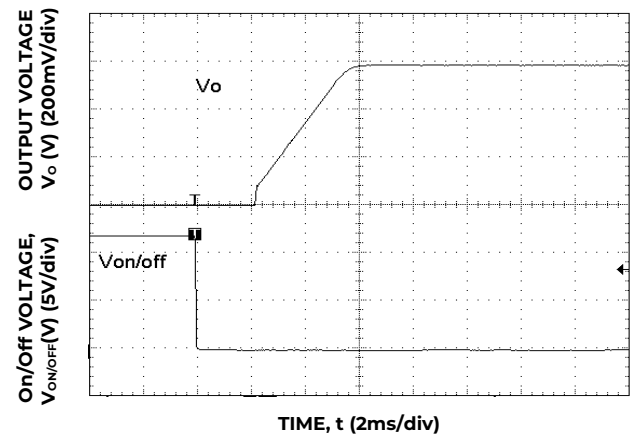


Figure 5. Typical Start-up Using On/Off Voltage ( $I_o = I_{o, max}$ ).

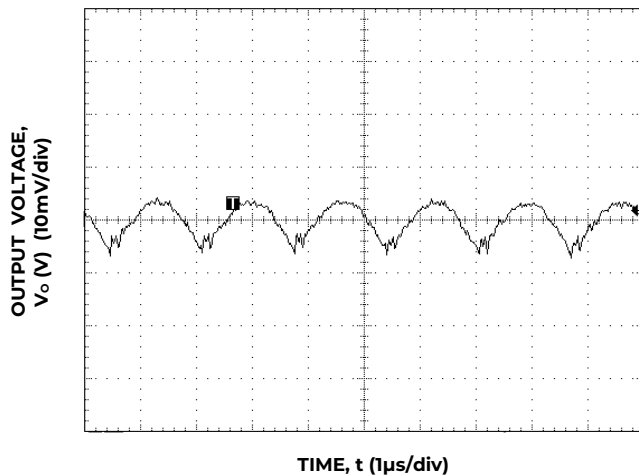


Figure 3. Typical Output Ripple and Noise,  $V_{IN} = 12 V$   $I_o = I_{o, max}$ .

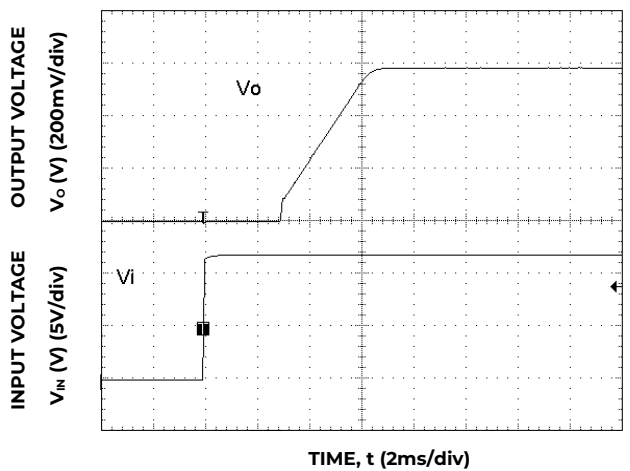


Figure 6. Typical Start-up Using Input Voltage ( $V_{IN} = 12 V$   $I_o = I_{o, max}$ ).

# Technical Specifications (continued)

## Characteristic Curves (continued)

The following figures provide typical characteristics for the 12V Pico TLynx™ 6A at 1.2V<sub>o</sub> and at 25°C.

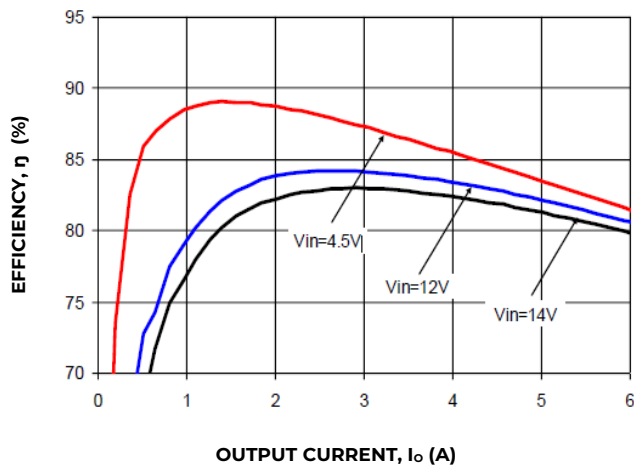


Figure 7. Converter Efficiency versus Output Current.

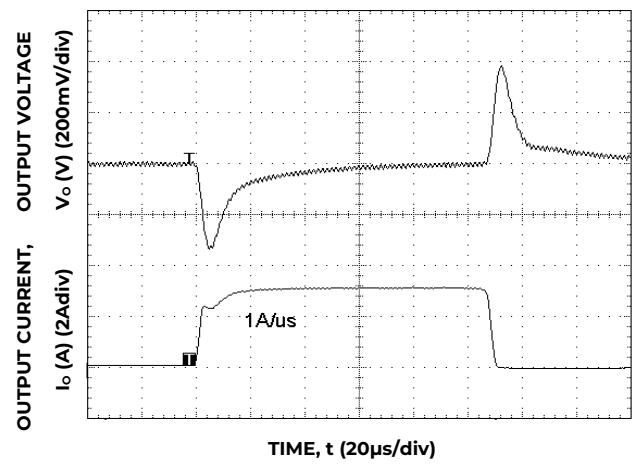


Figure 10. Transient Response to Dynamic Load Change from 50% to 0% .

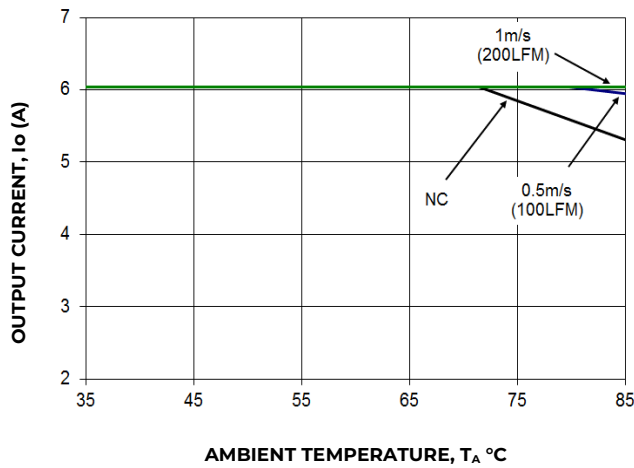


Figure 8. Derating Output Current versus Local Ambient Temperature and Airflow.

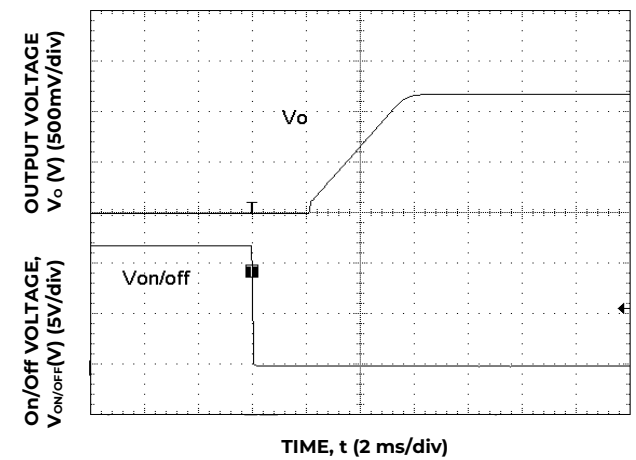


Figure 11. Typical Start-up Using On/Off Voltage ( $I_o = I_{o,max}$ ).

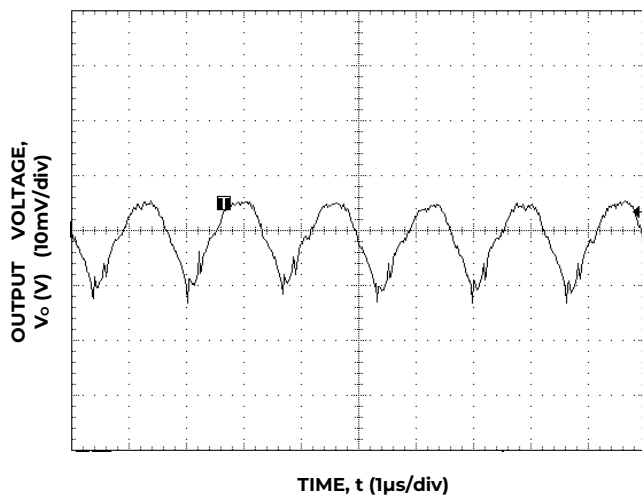


Figure 9. Typical Output Ripple and Noise,  $V_{IN} = 12\text{ V}$   $I_o = I_{o,max}$ .

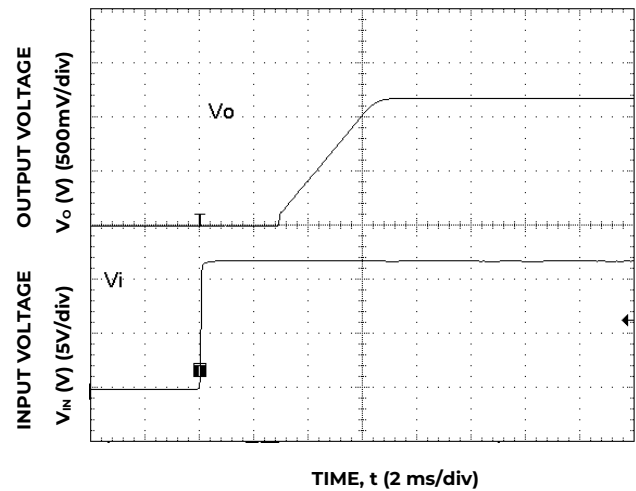


Figure 12. Typical Start-up Using Input Voltage ( $V_{IN} = 12\text{ V}$   $I_o = I_{o,max}$ ).

# Technical Specifications (continued)

## Characteristic Curves (continued)

The following figures provide typical characteristics for the 12V Pico TLynx™ 6A at 1.8V<sub>o</sub> and at 25°C.

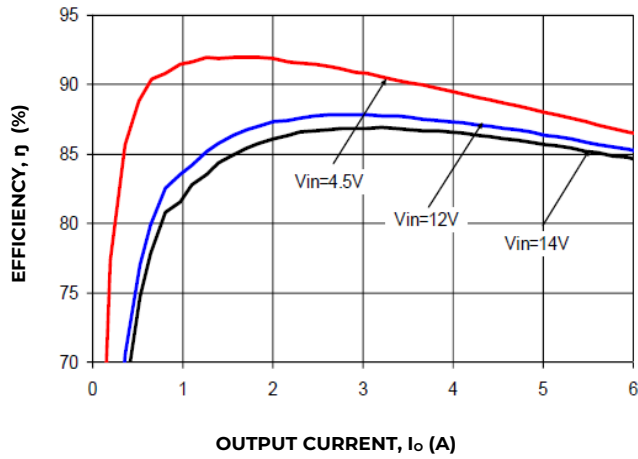


Figure 13. Converter Efficiency versus Output Current.

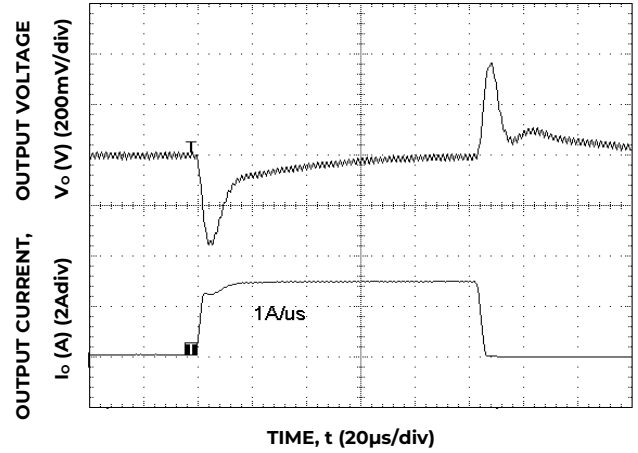


Figure 16. Transient Response to Dynamic Load Change from 50% to 0% .

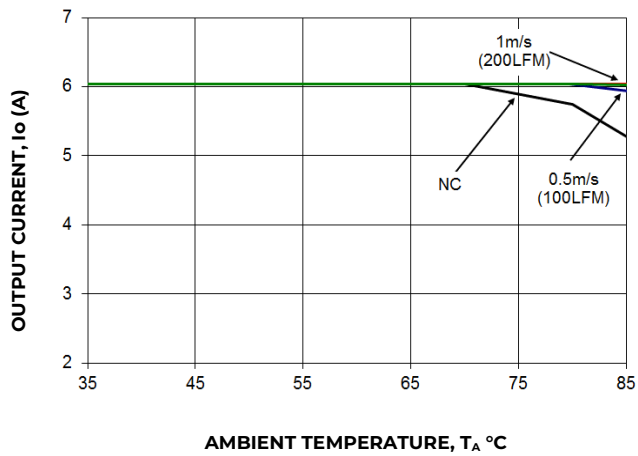


Figure 14. Derating Output Current versus Local Ambient Temperature and Airflow.

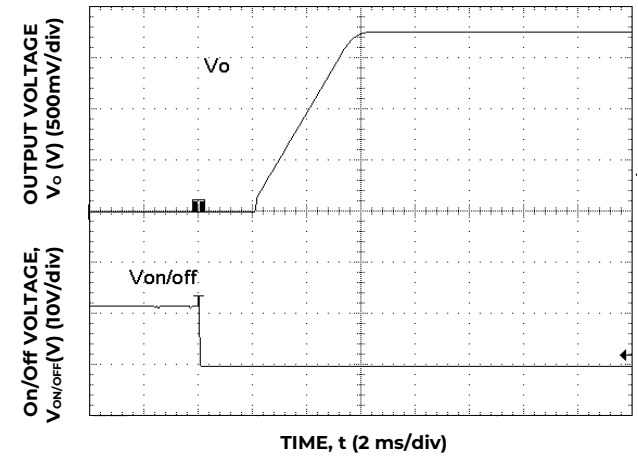


Figure 17. Typical Start-up Using On/Off Voltage ( $I_o = I_{o, max.}$ ).

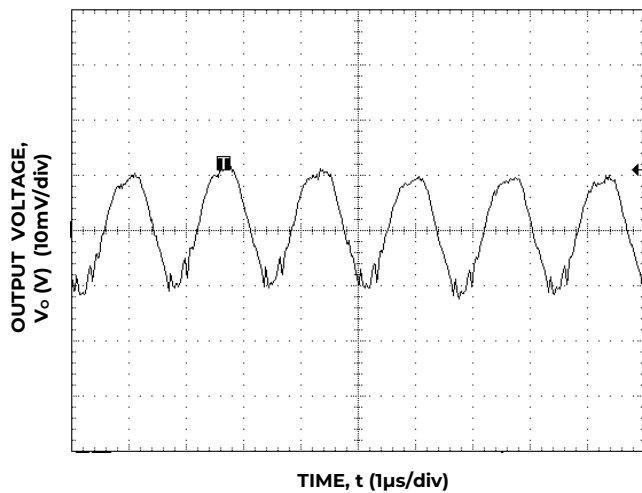


Figure 15. Typical Output Ripple and Noise,  $V_{IN} = 12\text{ V}$   $I_o = I_{o, max.}$

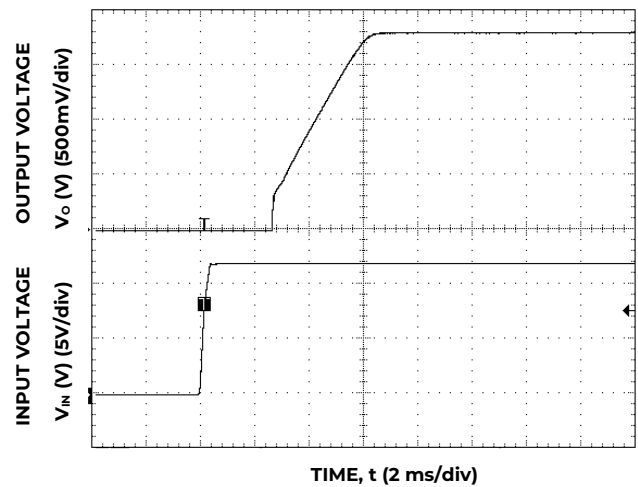


Figure 18. Typical Start-up Using Input Voltage ( $V_{IN} = 12\text{ V}$   $I_o = I_{o, max.}$ ).



# Technical Specifications (continued)

## Characteristic Curves (continued)

The following figures provide typical characteristics for the 12V Pico TLynx™ 6A at 2.5%<sub>o</sub> and at 25°C.

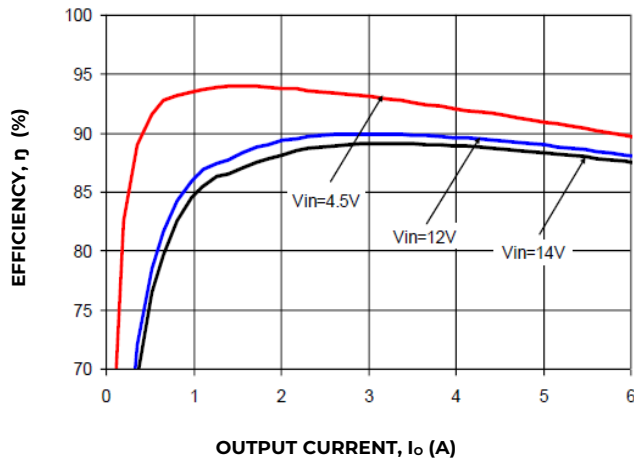


Figure 19. Converter Efficiency versus Output Current.

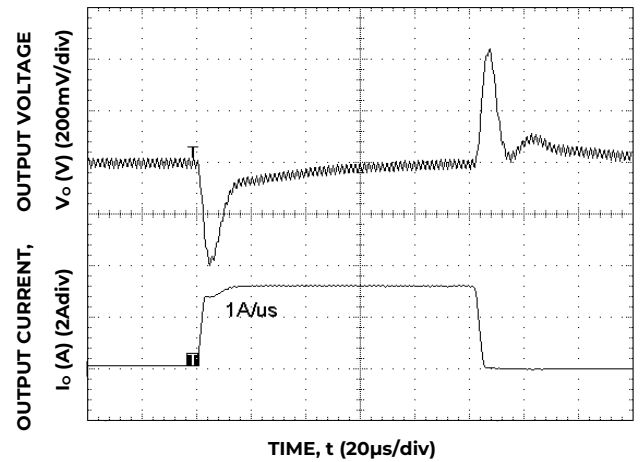


Figure 22. Transient Response to Dynamic Load Change from 50% to 0% .

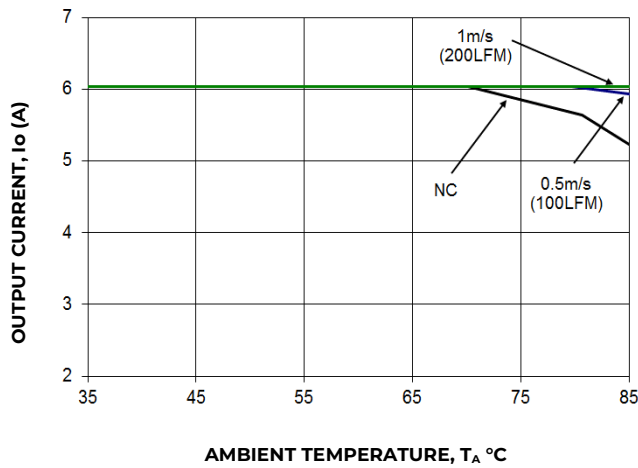


Figure 20. Derating Output Current versus Local Ambient Temperature and Airflow.

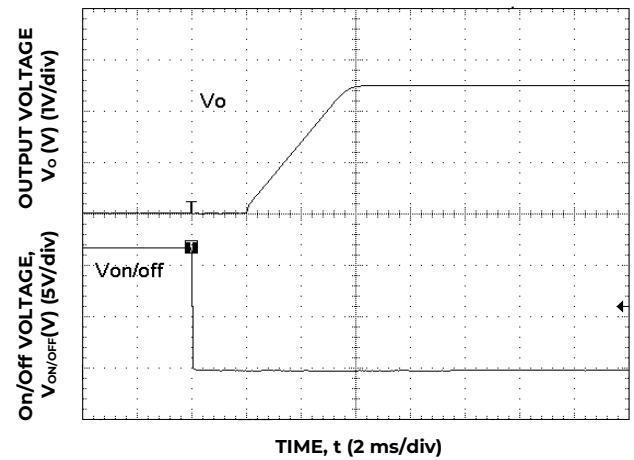


Figure 23. Typical Start-up Using On/Off Voltage ( $I_o = I_{o, max.}$ ).

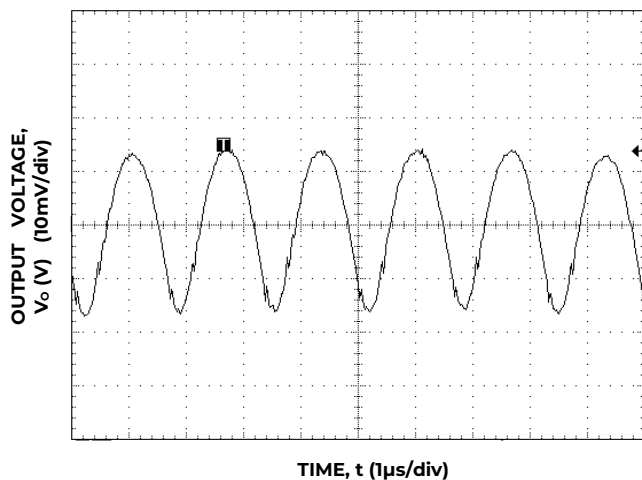


Figure 21. Typical Output Ripple and Noise,  $V_{IN} = 12\text{ V}$   $I_o = I_{o, max.}$

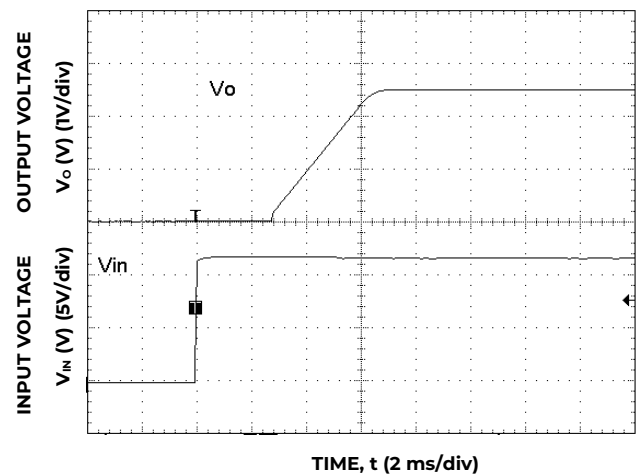


Figure 24. Typical Start-up Using Input Voltage ( $V_{IN} = 12\text{ V}$   $I_o = I_{o, max.}$ )

# Technical Specifications (continued)

## Characteristic Curves (continued)

The following figures provide typical characteristics for the 12 V Pico TLynx™ 6A at 3.3V<sub>o</sub> and at 25°C.

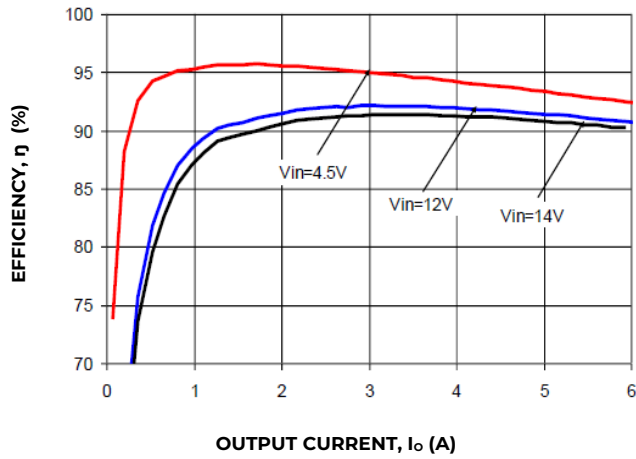


Figure 25. Converter Efficiency versus Output Current.

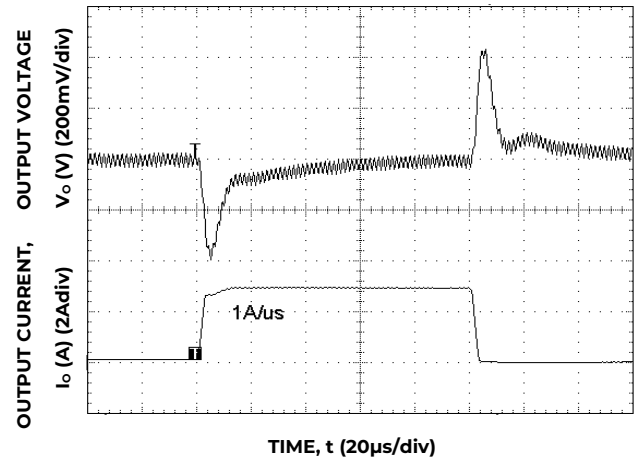


Figure 28. Transient Response to Dynamic Load Change from 50% to 0% .

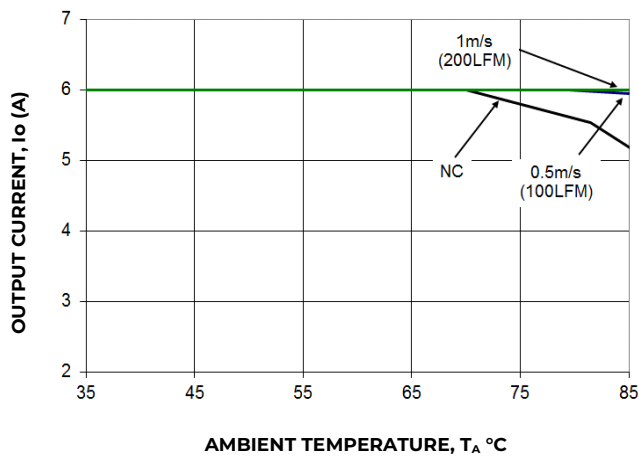


Figure 26. Derating Output Current versus Local Ambient Temperature and Airflow.

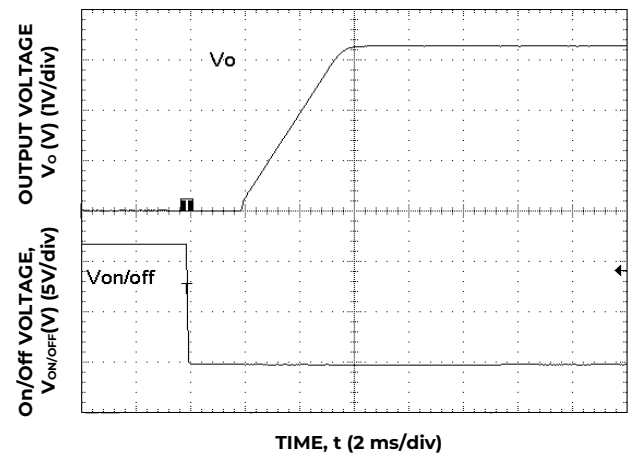


Figure 29. Typical Start-up Using On/Off Voltage ( $I_o = I_{o, max.}$ ).

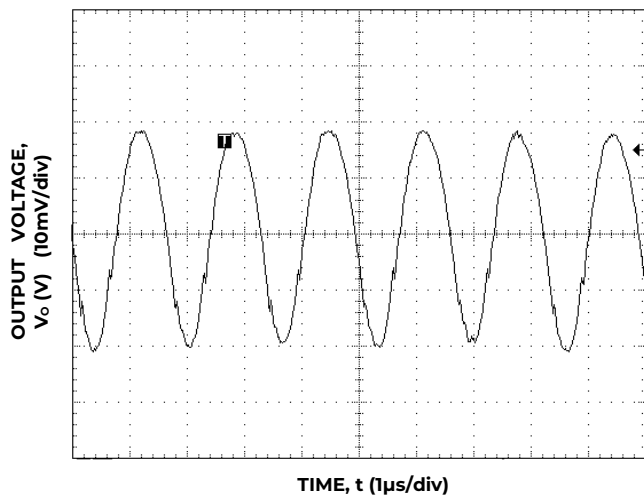


Figure 27. Typical Output Ripple and Noise,  $V_{IN} = 12\text{ V}$   $I_o = I_{o, max.}$

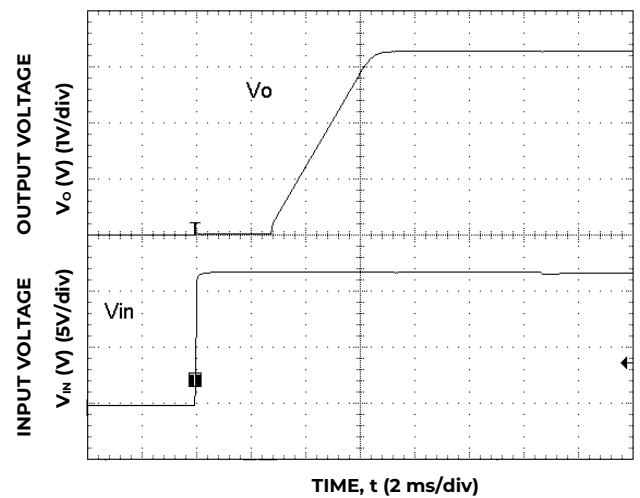


Figure 30. Typical Start-up Using Input Voltage ( $V_{IN} = 12\text{ V}$   $I_o = I_{o, max.}$ ).

# Technical Specifications (continued)

## Characteristic Curves (continued)

The following figures provide typical characteristics for the 12 V Pico TLynx™ 6A at 5V<sub>o</sub> and at 25°C.

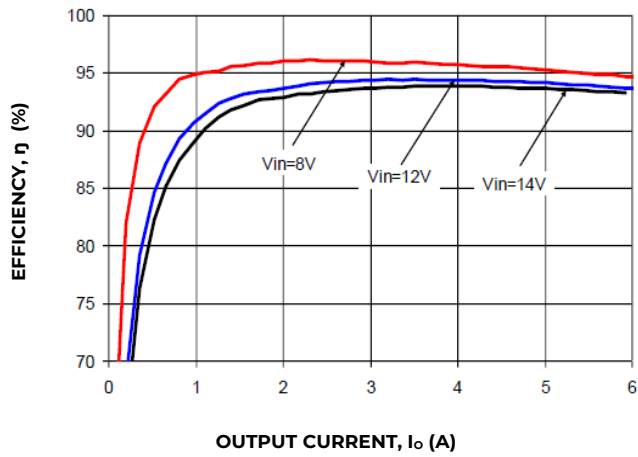


Figure 31. Converter Efficiency versus Output Current.

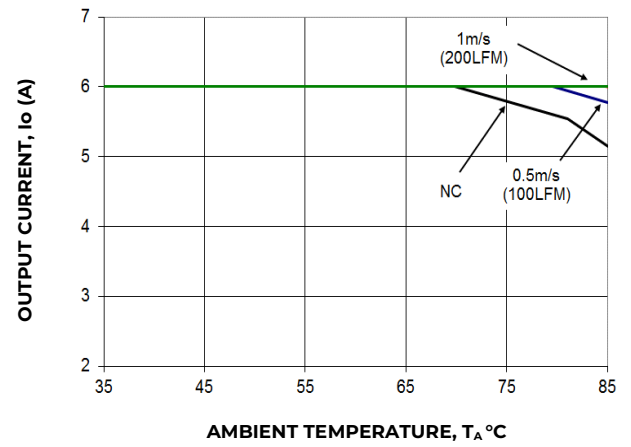


Figure 34. Derating Output Current versus Local Ambient Temperature and Airflow.

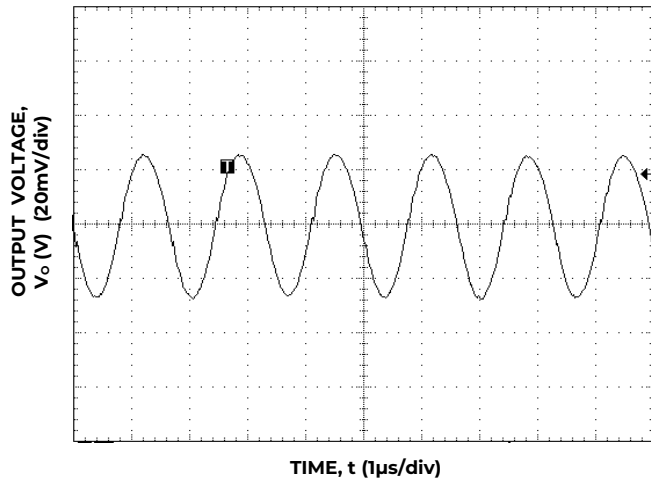


Figure 32. Typical Output Ripple and Noise, V<sub>IN</sub> = 12 V I<sub>o</sub> = I<sub>o, max</sub>.

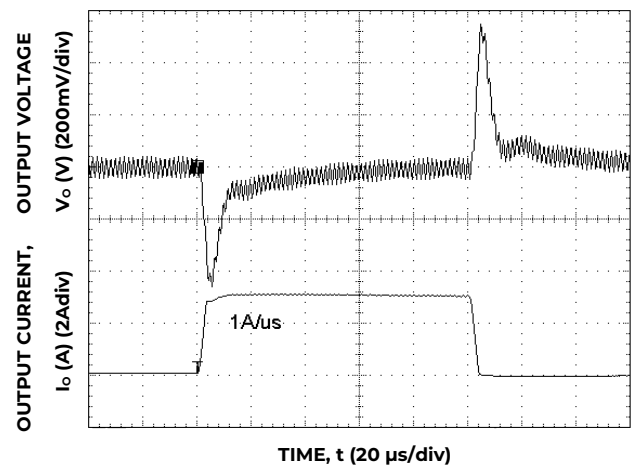


Figure 35. Transient Response to Dynamic Load Change from 50% to 0% .

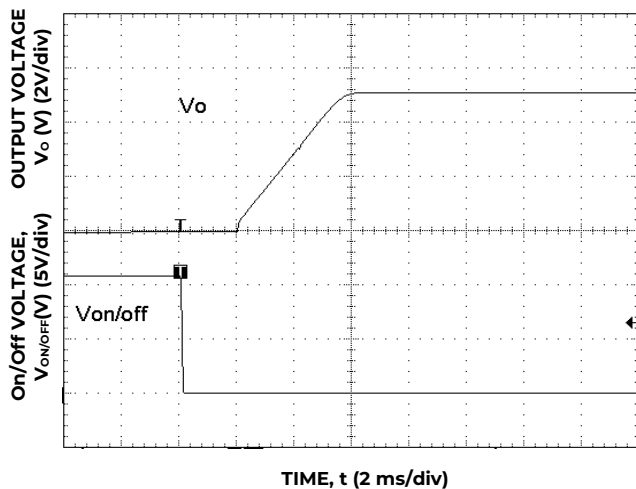


Figure 33. Typical Start-up Using On/Off Voltage (I<sub>o</sub> = I<sub>o, max</sub>).

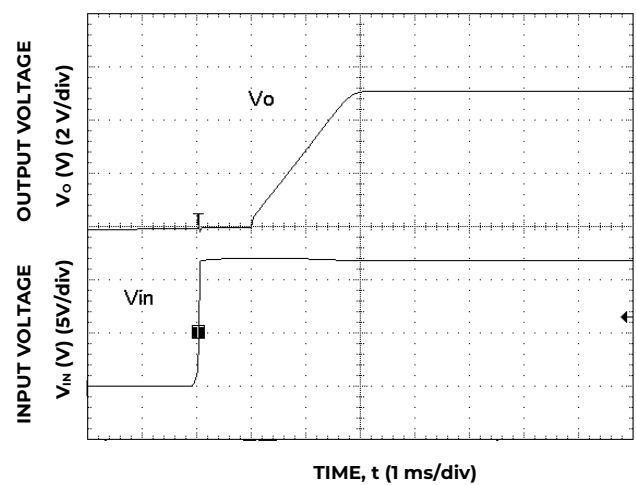
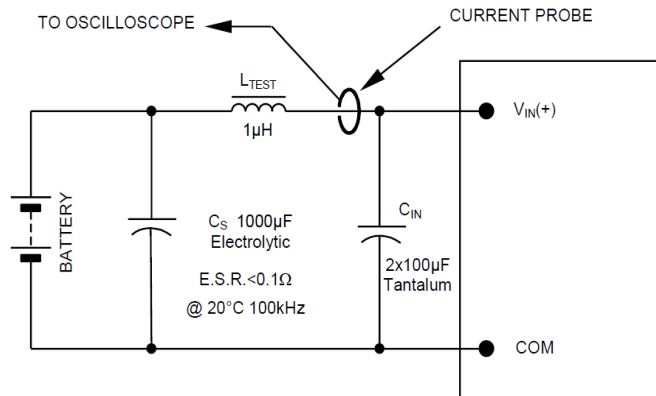


Figure 36. Typical Start-up Using Input Voltage (V<sub>IN</sub> = 12 V I<sub>o</sub> = I<sub>o, max</sub>.)

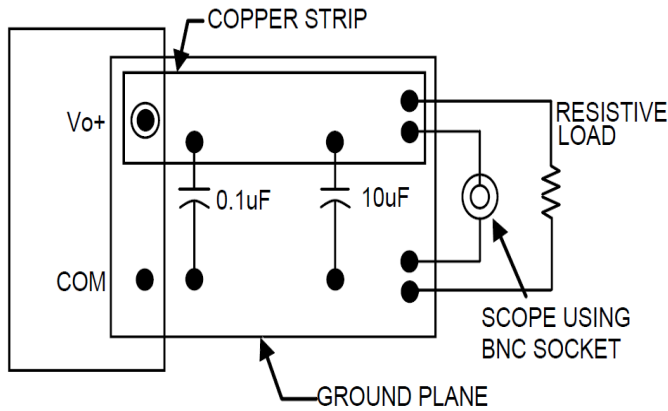
# Technical Specifications (continued)

## Test Configurations



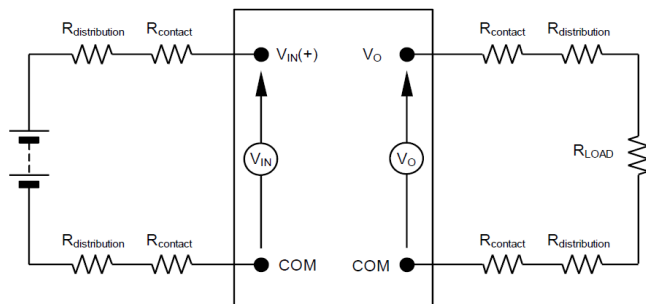
**Figure 37. Input Reflected Ripple Current Test Setup.**

**NOTE:** Measure input reflected ripple current with a simulated source inductance ( $L_{TEST}$ ) of  $1\mu H$ . Capacitor  $C_S$  offsets possible battery impedance. Measure current as shown above.



**Figure 38. Output Ripple and Noise Test Setup.**

**NOTE:** All voltage measurements to be taken at the module terminals, as shown above. If sockets are used then Kelvin connections are required at the module terminals to avoid measurement errors due to socket contact resistance.



**Figure 39. Output Voltage and Efficiency Test Setup.**

**NOTE:** All voltage measurements to be taken at the module terminals, as shown above. If sockets are used then Kelvin connections are required at the module terminals to avoid measurement errors due to socket contact resistance.

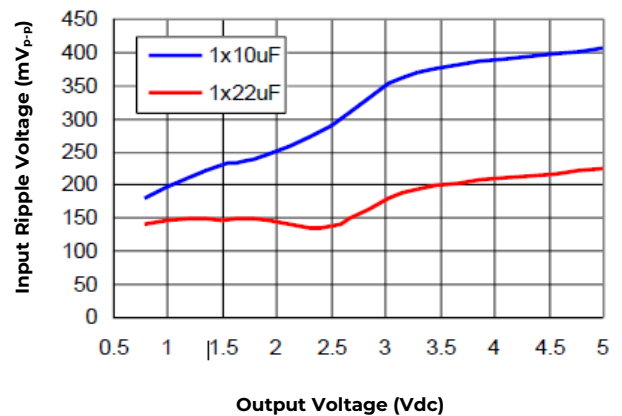
$$\eta = \frac{V_O \cdot I_O}{V_{IN} \cdot I_{IN}} \times 100 \%$$

## Design Considerations

### Input Filtering

The 12V Pico TLynx™ 6A module should be connected to a low ac-impedance source. A highly inductive source can affect the stability of the module. An input capacitance must be placed directly adjacent to the input pin of the module, to minimize input ripple voltage and ensure module stability.

To minimize input voltage ripple, ceramic capacitors are recommended at the input of the module. Figure 40 shows the input ripple voltage for various output voltages at 6A of load current with  $1 \times 10 \mu F$  or  $1 \times 22 \mu F$  ceramic capacitors and an input of 12V.



**Figure 40. Input ripple voltage for various output voltages with  $1 \times 10 \mu F$  or  $1 \times 22 \mu F$  ceramic capacitors at the input (6A load). Input voltage is 12V.**

### Output Filtering

The 12V Pico TLynx™ 6A modules are designed for low output ripple voltage and will meet the maximum output ripple specification with  $0.1 \mu F$  ceramic and  $10 \mu F$  ceramic capacitors at the output of the module. However, additional output filtering may be required by the system designer for a

## Technical Specifications (continued)

### Design Considerations (continued)

number of reasons. First, there may be a need to further reduce the output ripple and noise of the module. Second, the dynamic response characteristics may need to be customized to a particular load step change.

To reduce the output ripple and improve the dynamic response to a step load change, additional capacitance at the output can be used. Low ESR polymer and ceramic capacitors are recommended to improve the dynamic response of the module. Figure 41 provides output ripple information for different external capacitance values at various  $V_o$  and for a load current of 6A. For stable operation of the module, limit the capacitance to less than the maximum output capacitance as specified in the electrical specification table. Optimal performance of the module can be achieved by using the Tunable Loop™ feature described later in this data sheet.

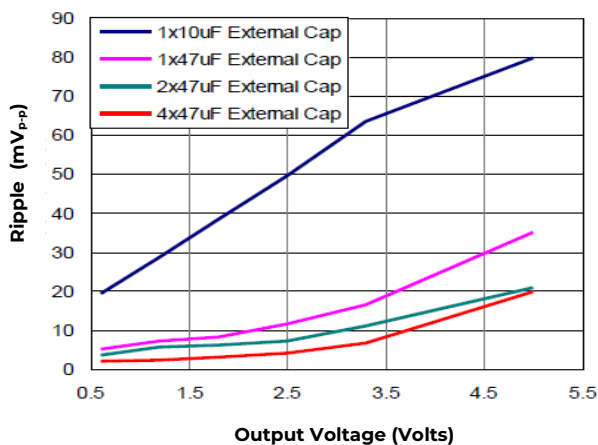


Figure 41. Output ripple voltage for various output voltages with external 1x10  $\mu$ F, 1x47  $\mu$ F, 2x47  $\mu$ F or 4x47  $\mu$ F ceramic capacitors at the output (6A load). Input voltage is 12V.

### Safety Considerations

For safety agency approval the power module must be installed in compliance with the spacing and separation requirements of the end-use safety agency standards, i.e., UL ANSI/UL\* 62368-1 and CAN/CSA+ C22.2 No. 62368-1 Recognized, DIN VDE 0868- 1/ A11:2017 (EN62368-1:2014/A11:2017)

For the converter output to be considered meeting the Requirements of safety extra-low voltage (SELV) or ES1, the input must meet SELV/ES1 requirements. The power module has extra-low voltage (ELV) outputs

when all inputs are ELV.

The input to these units is to be provided with a fast-acting fuse with a maximum rating of 6A in the positive input lead.

### Feature Descriptions

#### Remote Enable

The 12V Pico TLynx™ 6A power modules feature an On/Off pin for remote On/Off operation. Two On/Off logic options are available. In the Positive Logic On/Off option, (device code suffix “4” – see Ordering Information), the module turns ON during a logic High on the On/Off pin and turns OFF during a logic Low. With the Negative Logic On/Off option, (no device code suffix, see Ordering Information), the module turns OFF during logic High and ON during logic Low. The On/Off signal is always referenced to ground. For either On/Off logic option, leaving the On/Off pin disconnected will turn the module ON when input voltage is present.

For positive logic modules, the circuit configuration for using the On/Off pin is shown in Figure 42. When the external transistor Q1 is in the OFF state, the internal PWM Enable signal is pulled high through an internal 1.5M $\Omega$  resistor and the external pullup resistor and the module is ON. When transistor Q1 is turned ON, the On/Off pin is pulled low and the module is OFF. A

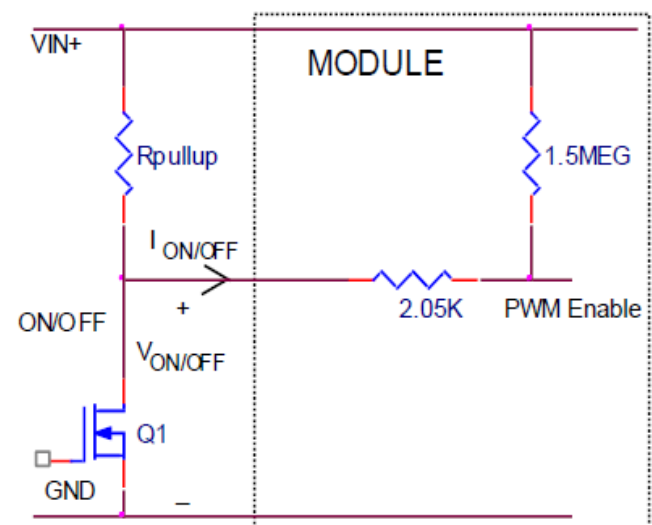


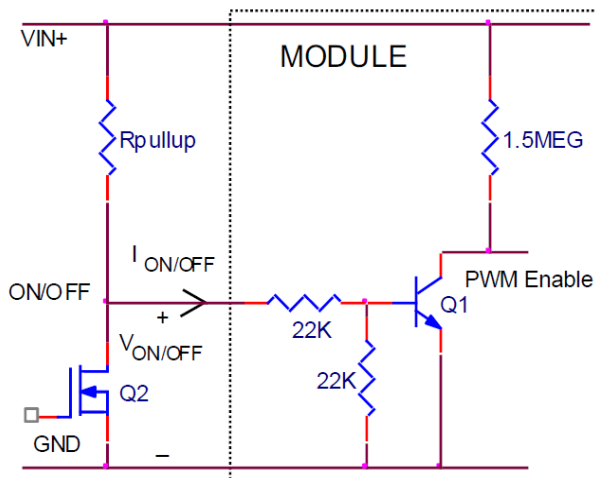
Figure 42. Circuit configuration for using positive On/Off logic.

## Technical Specifications (continued)

suggested value for  $R_{pullup}$  is 20k $\Omega$ .

### Feature Descriptions ( Continued )

For negative logic On/Off modules, the circuit configuration is shown in Fig. 43. The On/Off pin should be pulled high with an external pull-up resistor (suggested value for the 4.5V to 14V input range is 20k $\Omega$ ). When transistor Q2 is in the OFF state, the On/Off pin is pulled high, transistor Q1 is turned ON and the module is OFF. To turn the module ON, Q2 is turned ON pulling the On/Off pin low, turning



**Figure 43. Circuit configuration for using negative On/Off logic.**

transistor Q1 OFF resulting in the PWM Enable pin going high.

### Overcurrent Protection

To provide protection in a fault (output overload) condition, the unit is equipped with internal current-limiting circuitry and can endure current limiting continuously. At the point of current-limit inception, the unit enters hiccup mode. The unit operates normally once the output current is brought back into its specified range.

### Overtemperature Protection

To provide protection in a fault condition, the unit is equipped with a thermal shutdown circuit. The unit will shutdown if the overtemperature threshold of 140 $^{\circ}$  C is exceeded at the thermal reference point  $T_{ref}$ . The thermal shutdown is not intended as a guarantee that the unit will survive temperatures beyond its rating.

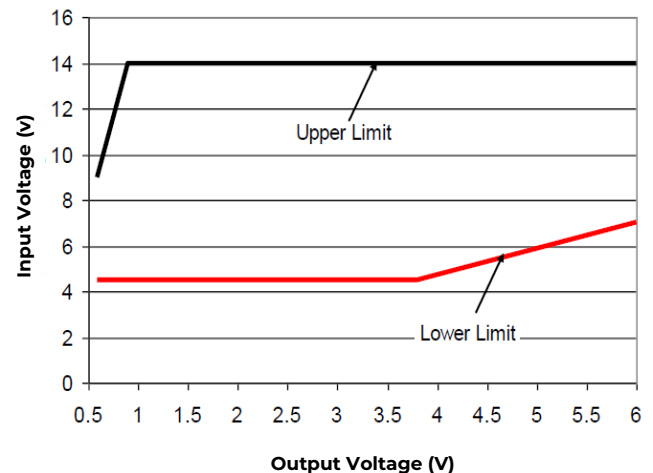
Once the unit goes into thermal shutdown it will then wait to cool before attempting to restart.

### Input Undervoltage Lockout

At input voltages below the input undervoltage lockout limit, the module operation is disabled. The module will begin to operate at an input voltage above the undervoltage lockout turn-on threshold.

### Output Voltage Programming

The output voltage of the 12V Pico TLynx™ 6A modules can be programmed to any voltage from 0.59 $V_{dc}$  to 5.5 $V_{dc}$  by connecting a resistor between the Trim and GND pins of the module. Certain restrictions apply on the output voltage set point depending on the input voltage. These are shown in the Output Voltage vs. Input Voltage Set Point Area plot in Fig. 44. The Upper Limit curve shows that for output voltages of 0.9V and lower, the input voltage must be lower than the



**Figure 44. Output Voltage vs. Input Voltage Set Point Area plot showing limits where the output voltage can be set for different input voltages.**

maximum of 14V. The Lower Limit curve shows that for output voltages of 3.8V and higher, the input voltage needs to be larger than the minimum of 4.5V.

$$R_{trim} = \left[ \frac{5.91}{(V_o - 0.591)} \right] K\Omega$$

Without an external resistor between Trim and GND pins, the output of the module will be 0.59V $_{dc}$ . To calculate the value of the trim resistor,  $R_{trim}$  for a desired output voltage, use the following

## Technical Specifications (continued)

equation:

### Feature Descriptions ( Continued )

$R_{trim}$  is the external resistor in  $k\Omega$

$V_o$  is the desired output voltage.

Table 1 provides  $R_{trim}$  values required for some

$V_o, set (V)$	$R_{trim} (k\Omega)$
0.6	656.7
1.0	14.45
1.2	9.704
1.5	6.502
1.8	4.888
2.5	3.096
3.3	2.182
5.0	1.340

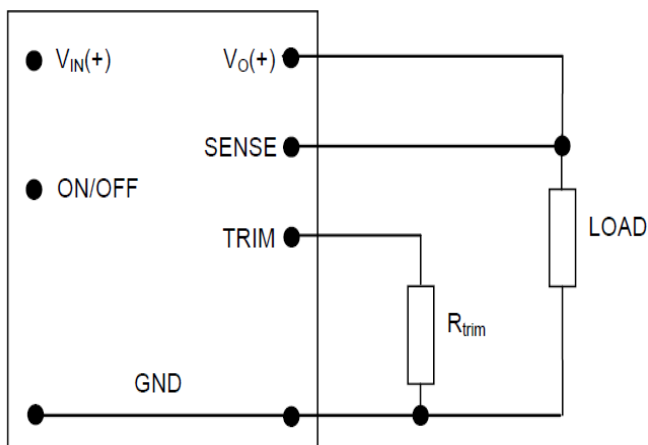
**Table 1.**

common output voltages.

By using a  $\pm 0.5\%$  tolerance trim resistor with a TC of  $\pm 100ppm$ , a set point tolerance of  $\pm 1.5\%$  can be achieved as specified in the electrical specification.

### Remote Sense

The 12V Pico TLynx™ 6A power modules have a Remote Sense feature to minimize the effects of distribution losses by regulating the voltage at the SENSE pin. The voltage between the SENSE pin and VOUT pin must not exceed 0.5V. Note that the output voltage of the module cannot exceed the specified maximum value. This includes the voltage drop

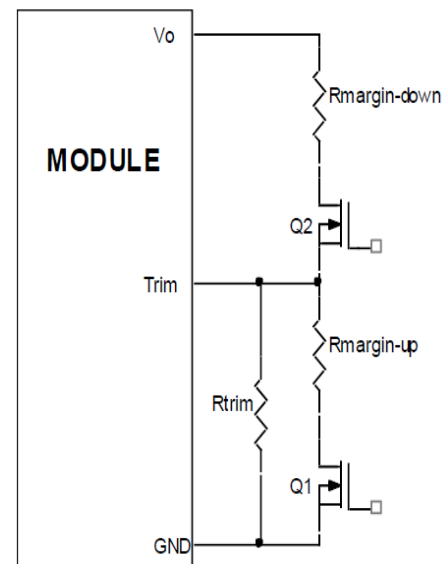


**Figure 45. Circuit configuration for programming output voltage using an external resistor.**

between the SENSE and Vout pins. When the Remote Sense feature is not being used, connect the SENSE pin to the VOUT pin.

### Voltage Margining

Output voltage margining can be implemented in the 12V Pico TLynx™ 6A modules by connecting a resistor,  $R_{margin-up}$ , from the Trim pin to the ground pin for margining-up the output voltage and by connecting a resistor,  $R_{margin-down}$ , from the Trim pin to output pin for margining-down. Figure 46 shows the circuit configuration for output voltage margining. The POL Programming Tool, available at [omnionpower.com](http://omnionpower.com) under the Design Tools section, also calculates the values of  $R_{margin-up}$  and  $R_{margin-down}$  for a specific output voltage and % margin. Please consult your local OmniOn technical representative for additional details.



**Figure 46. Circuit Configuration for margining Output voltage.**

### Monotonic Start-up and Shutdown

The 12V Pico TLynx™ 6A modules have monotonic start-up and shutdown behavior for any combination of rated input voltage, output current and operating temperature range.

### Startup into Pre-biased Output

The 12V Pico TLynx™ 6A modules can start into a prebiased output as long as the prebias voltage is 0.5V less than the set output voltage. Note that prebias operation is not supported when output voltage

## Technical Specifications (continued)

sequencing is used.

### Feature Descriptions ( Continued )

#### Output Voltage Sequencing

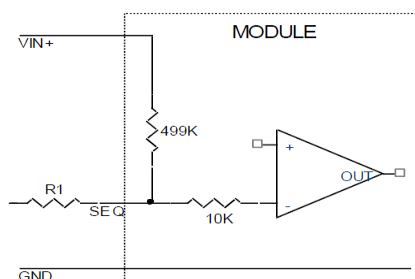
The 12V Pico TLynx™ 6A modules include a sequencing feature, EZ-SEQUENCE that enables users to implement various types of output voltage sequencing in their applications. This is accomplished via an additional sequencing pin. When not using the sequencing feature, either tie the SEQ pin to VIN or leave it unconnected.

When an analog voltage is applied to the SEQ pin, the output voltage tracks this voltage until the output reaches the set-point voltage. The final value of the SEQ voltage must be set higher than the set-point voltage of the module. The output voltage follows the voltage on the SEQ pin on a one-to-one basis. By connecting multiple modules together, multiple modules can track their output voltages to the voltage applied on the SEQ pin.

For proper voltage sequencing, first, input voltage is applied to the module. The On/Off pin of the module is left unconnected (or tied to GND for negative logic modules or tied to VIN for positive logic modules) so that the module is ON by default. After applying input voltage to the module, a minimum 10msec delay is required before applying voltage on the SEQ pin. This delay gives the module enough time to complete its internal power-up soft-start cycle. During the delay time, the SEQ pin should be held close to ground (nominally 50mV ± 20 mV). This is required to keep the internal op-amp out of saturation thus preventing output overshoot during the start of the sequencing ramp. By selecting resistor R1 (see fig. 47) the

$$R1 = \frac{24950}{V_{IN} - 0.05} \text{ Ohms,}$$

according to the following equation



**Figure 47. Circuit showing connection of the sequencing signal to the SEQ pin.**

the voltage at the sequencing pin will be 50mV when the sequencing signal is at zero.

After the 10msec delay, an analog voltage is applied to the SEQ pin and the output voltage of the module will track this voltage on a one-to-one volt bases until the output reaches the set-point voltage. To initiate simultaneous shutdown of the modules, the SEQ pin voltage is lowered in a controlled manner. The output voltage of the modules tracks the voltages below their set-point voltages on a one-to-one basis. A valid input voltage must be maintained until the tracking and output voltages reach ground potential.

When using the EZ-SEQUENCE™ feature to control start-up of the module, pre-bias immunity during start-up is disabled. The prebias immunity feature of the module relies on the module being in the diode-mode during start-up. When using the EZ-SEQUENCE™ feature, modules goes through an internal set-up time of 10msec, and will be in synchronous rectification mode when the voltage at the SEQ pin is applied. This will result in the module sinking current if a pre-bias voltage is present at the output of the module. When pre-bias immunity during start-up is required, the EZ-SEQUENCE™ feature must be disabled. For additional guidelines on using the EZ-SEQUENCETM feature please refer to Application Note AN04-008 “Application Guidelines for Non-Isolated Converters: Guidelines for Sequencing of Multiple Modules”, or contact the OmniOn technical representative for additional information.

#### Power Good

The 12V Pico TLynx™ 6A modules provide a Power Good (PGOOD) signal that is implemented with an open-drain output to indicate that the output voltage is within the regulation limits of the power module. The PGOOD signal will be de-asserted to a low state if any condition such as overtemperature, overcurrent or



## Technical Specifications (continued)

loss of regulation occurs that would result in the output voltage going  $\pm 10\%$  outside the setpoint value. The PGOOD terminal should be connected through a pullup resistor (suggested value  $100K\Omega$ ) to a source of 5VDC or lower.

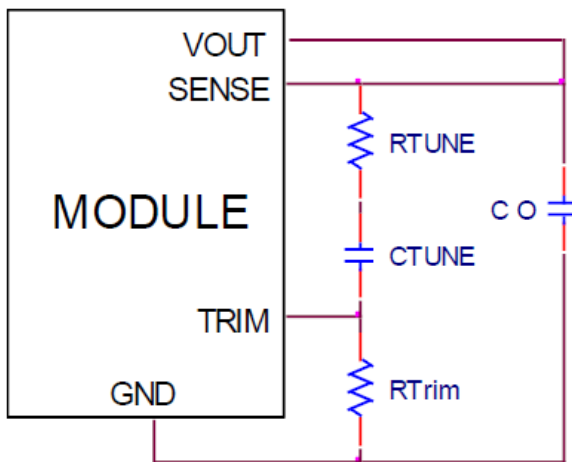
### Feature Descriptions ( Continued )

#### Tunable Loop™

The 12V Pico TLynx™ 6A modules have a new feature that optimizes transient response of the module called Tunable Loop™.

External capacitors are usually added to the output of the module for two reasons: to reduce output ripple and noise (see Fig. 41) and to reduce output voltage deviations from the steady-state value in the presence of dynamic load current changes. Adding external capacitance however affects the voltage control loop of the module, typically causing the loop to slow down with sluggish response. Larger values of external capacitance could also cause the module to become unstable.

The Tunable Loop™ allows the user to externally adjust



**Figure 48. Circuit diagram showing connection of  $R_{TUNE}$  and  $C_{TUNE}$  to tune the control loop of the module.**

the voltage control loop to match the filter network connected to the output of the module. The Tunable Loop™ is implemented by connecting a series R-C between the SENSE and TRIM pins of the module, as shown in Fig. 48. This R-C allows the user to externally adjust the voltage loop feedback compensation of the module.

Recommended values of  $R_{TUNE}$  and  $C_{TUNE}$  for different output capacitor combinations are given in Tables 2

and 3. Table 2 shows the recommended values of  $R_{TUNE}$  and  $C_{TUNE}$  for different values of ceramic output capacitors up to  $470\mu F$  that might be needed for an application to meet output ripple and noise requirements. Selecting  $R_{TUNE}$  and  $C_{TUNE}$  according to Table 2 will ensure stable operation of the module. In applications with tight output voltage limits in the presence of dynamic current loading, additional output capacitance will be required. Table 3 lists recommended values of  $R_{TUNE}$  and  $C_{TUNE}$  in order to meet 2% output voltage deviation limits for some

$C_o$	1x47 $\mu F$	2x47 $\mu F$	4x47 $\mu F$	6x47 $\mu F$	10x47 $\mu F$
$R_{TUNE}$	270	220	150	75	75
$C_{TUNE}$	2200pF	4700pF	8200pF	12nF	18nF

**Table 2. General recommended values of  $R_{TUNE}$  and  $C_{TUNE}$  for  $V_{in} = 12V$  and various external ceramic capacitor combinations.**

$V_o$	5V	3.3V	2.5V	1.8V	1.2V	0.6V
$C_o$	2x47 $\mu F$	3x47 $\mu F$	4x47 $\mu F$	6x47 $\mu F$	2x47 $\mu F$ +330 $\mu F$ Polymer	3 x 330 $\mu F$ Polymer
$R_{TUNE}$	220	180	150	120	100	100
$C_{TUNE}$	3900pF	6800pF	10nF	12nF	15nF	120nF
$\Delta V$	87mV	57mV	43mV	32mV	23mV	12mV

**Table 3. Recommended values of  $R_{TUNE}$  and  $C_{TUNE}$  to obtain transient deviation of  $\leq 2\%$  of  $V_{out}$  for a 3A step load with  $V_{in}=12V$ .**

common output voltages in the presence of a 3A to 6A step change (50% of full load), with an input voltage of 12V.

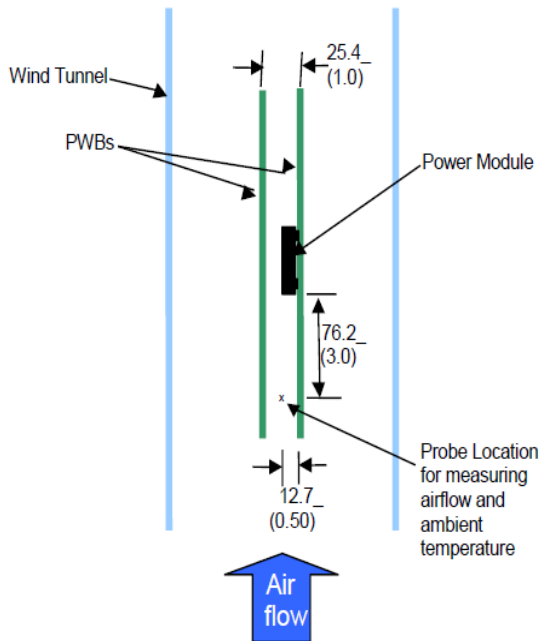
Please contact your OmniOn technical representative to obtain more details of this feature as well as for guidelines on how to select the right value of external R-C to tune the module for best transient performance and stable operation for other output capacitance values or input voltages other than 12V.

### Thermal Considerations

Power modules operate in a variety of thermal environments; however, sufficient cooling should always be provided to help ensure reliable operation.

## Technical Specifications (continued)

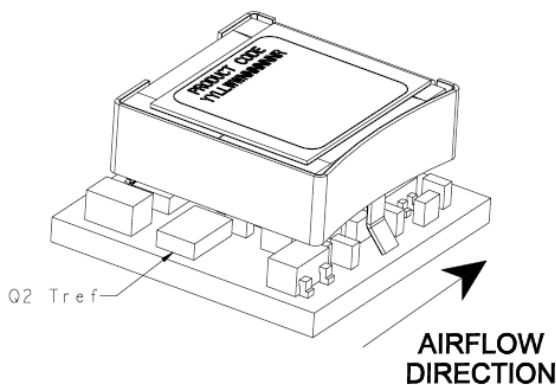
### Thermal Considerations (Continued)



**Figure 49. Thermal Test Setup.**

The thermal reference points,  $T_{ref}$  used in the specifications are also shown in Figure 50. For reliable operation the temperatures at these points should not exceed  $120^{\circ}\text{C}$ . The output power of the module should not exceed the rated power of the module ( $V_o$ , set  $\times$  lo, max).

Please refer to the Application Note “Thermal Characterization Process For Open-Frame Board-Mounted Power Modules” for a detailed discussion of thermal aspects including maximum device temperatures.



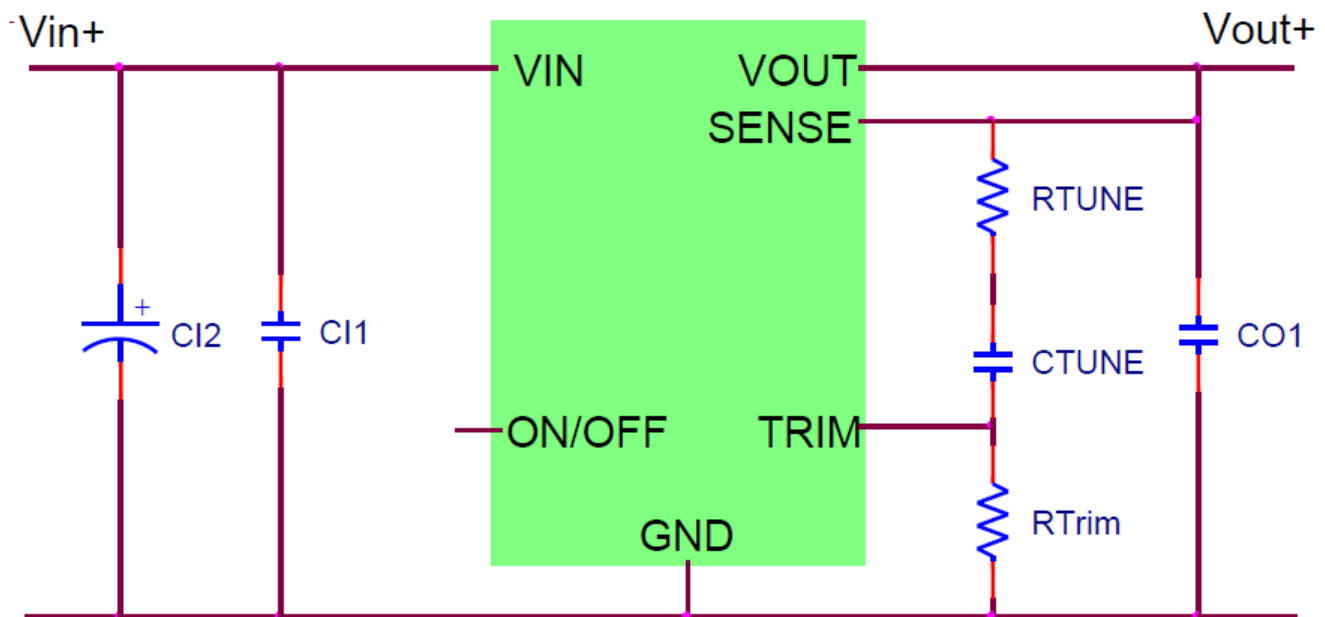
**Figure 50. Preferred airflow direction and location of hotspot of the module ( $T_{ref}$ ).**

## Technical Specifications (continued)

### Example Application Circuit

#### Requirements:

V <sub>in</sub> :	12V
V <sub>out</sub> :	1.8V
I <sub>out</sub> :	4.5A max., worst case load transient is from 3A to 4.5A
ΔV <sub>out</sub> :	1.5% of V <sub>out</sub> (27mV) for worst case load transient
V <sub>in</sub> , ripple	1.5% of V <sub>in</sub> (50mV, p-p)



C11	22μF/16V ceramic capacitor (e.g. Murata GRM32ER61C226KE20)
C12	47μF/16V bulk electrolytic
C01	5 x 47μF/6.3V ceramic capacitor (e.g. Murata GRM31CR60J476ME19)
C <sub>Tune</sub>	12nF ceramic capacitor (can be 1206, 0805 or 0603 size)
R <sub>Tune</sub>	120 ohms SMT resistor (can be 1206, 0805 or 0603 size)
R <sub>Trim</sub>	4.87kΩ SMT resistor (can be 1206, 0805 or 0603 size, recommended tolerance of 0.1%)

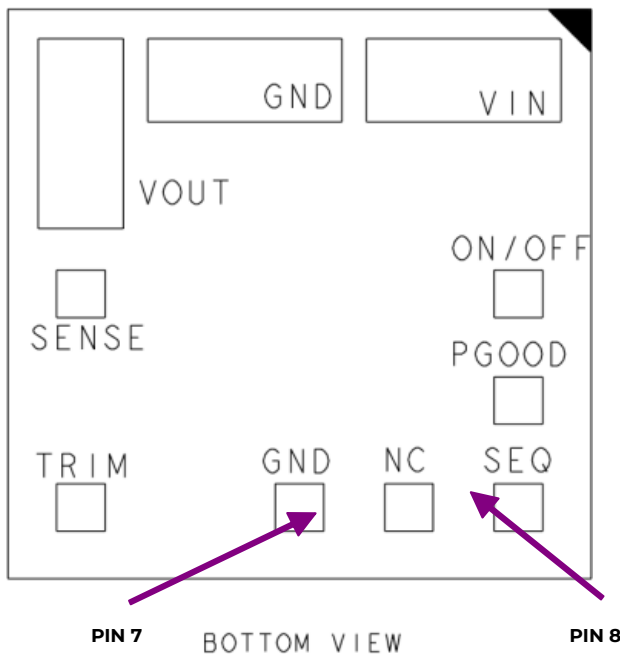
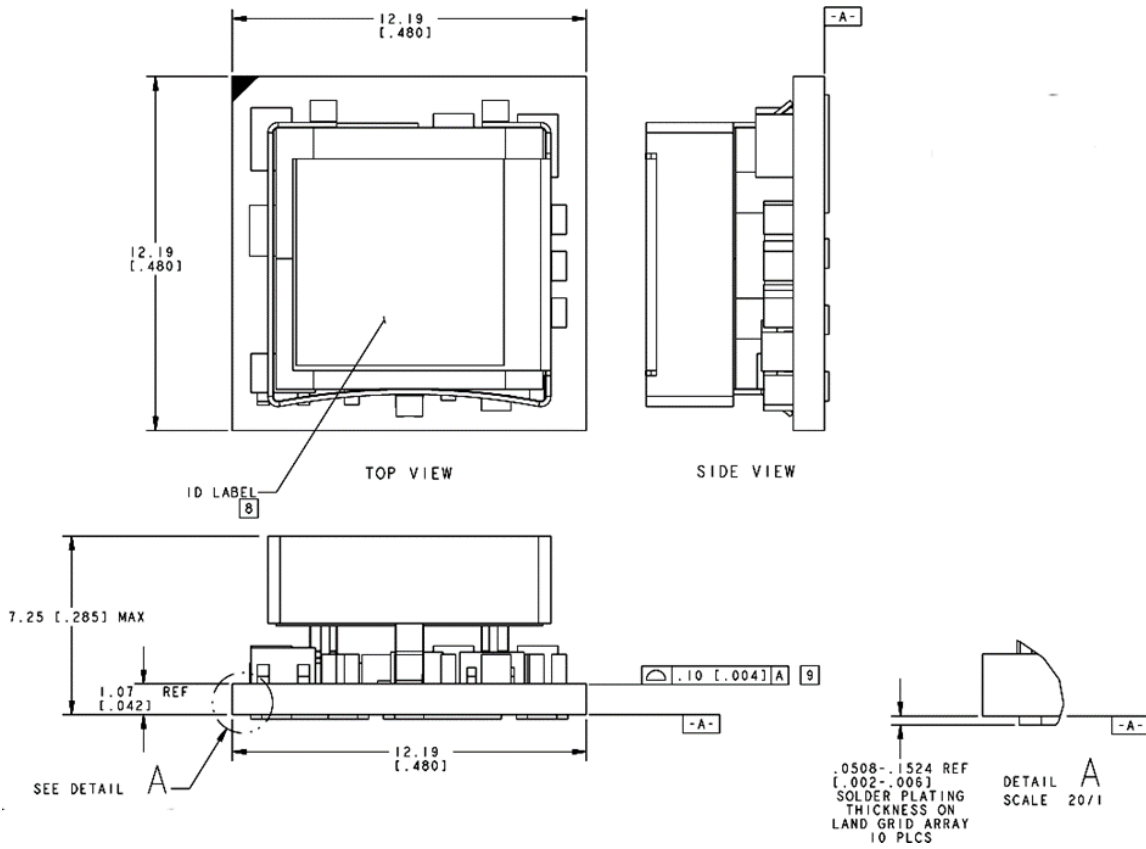
# Technical Specifications (continued)

## Mechanical Outline

Dimensions are in millimeters and (inches).

Tolerances: x.x mm ±0.5 mm (x.xx in±0.02 in.) [Unless otherwise indicated]

x.xx mm ± 0.25 mm (x.xxx in ± 0.010 in.)



PIN	FUNCTION
1	ON/OFF
2	VIN
3	GND
4	VOUT
5	SENSE
6	TRIM
7	GND
8	NC
9	SEQ
10	PGOOD

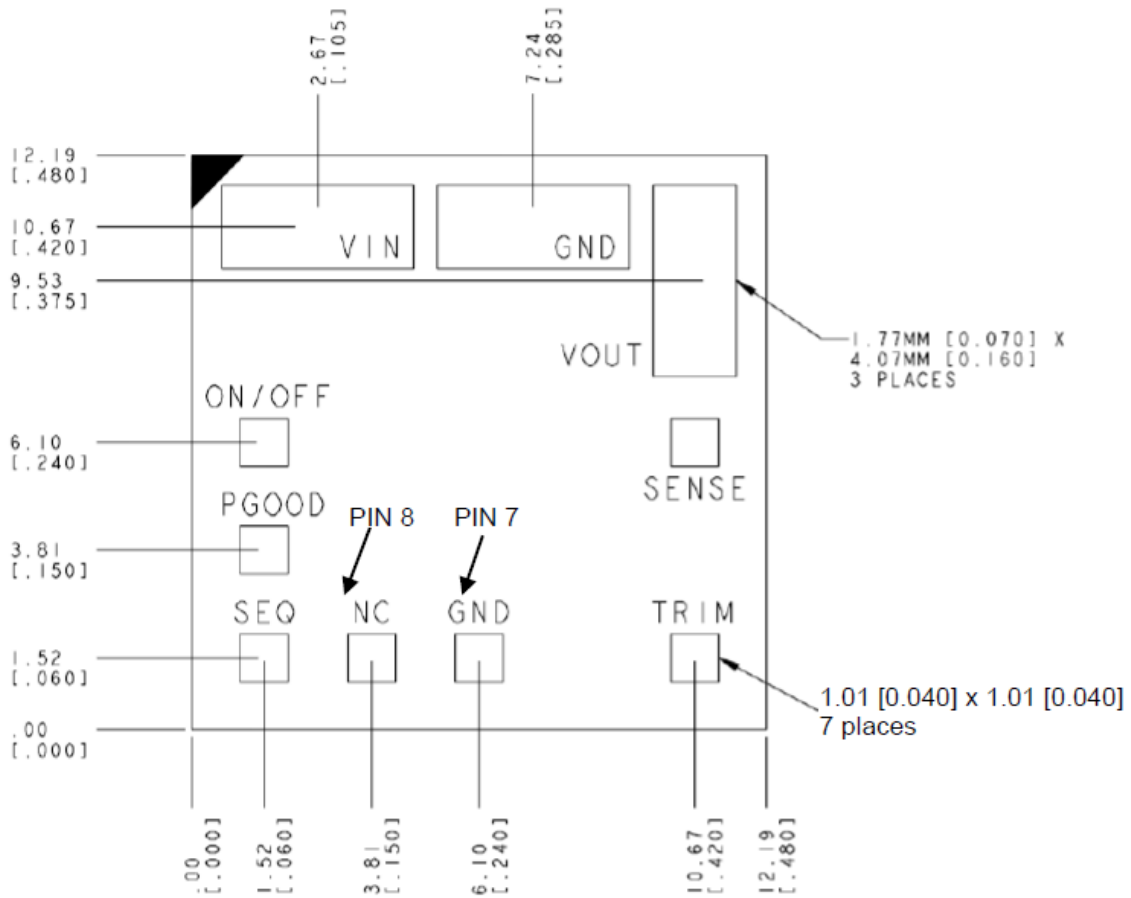
## Technical Specifications (continued)

### Recommended Pad Layout

Dimensions are in millimeters and (inches).

Tolerances: x.x mm ±0.5 mm (x.xx in±0.02 in.) [Unless otherwise indicated]

x.xx mm ± 0.25 mm (x.xxx in ± 0.010 in.)



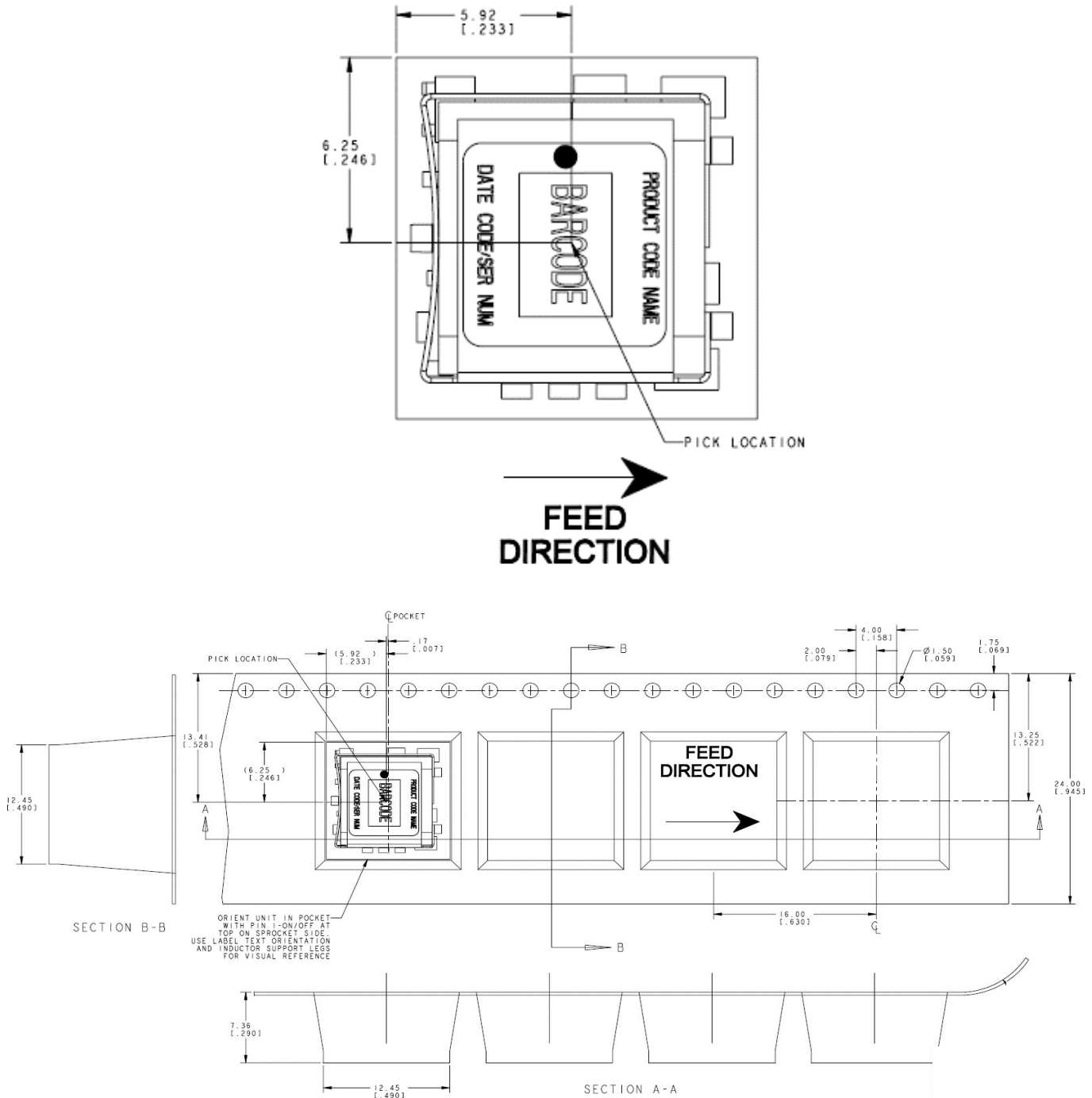
RECOMMENDED FOOTPRINT  
- THROUGH THE BOARD -

PIN	FUNCTION
1	ON/OFF
2	VIN
3	GND
4	VOUT
5	SENSE
6	TRIM
7	GND
8	NC
9	SEQ
10	PGOOD

# Technical Specifications (continued)

## Packaging Details

The 12V Pico TLynx™ 6A modules are supplied in tape & reel as standard. Modules are shipped in quantities of 400 modules per reel. All Dimensions are in millimeters and (in inches).



### Reel Dimensions

- Outside Diameter: 330.2 mm (13.00)
- Inside Diameter: 177.8 mm (7.00")
- Tape Width: 24.00 (0.945")

## Technical Specifications (continued)

### Surface Mount Information

#### Pick and Place

The 12V Pico TLynx™ 6A modules use an open frame construction and are designed for a fully automated assembly process. The modules are fitted with a label designed to provide a large surface area for pick and place operations. The label meets all the requirements for surface mount processing, as well as safety standards, and is able to withstand reflow temperatures of up to 300°C. The label also carries product information such as product code, serial number and the location of manufacture.

#### Nozzle Recommendations

The module weight has been kept to a minimum by using open frame construction. Variables such as nozzle size, tip style, vacuum pressure and placement speed should be considered to optimize this process. The minimum recommended inside nozzle diameter for reliable operation is 3mm. The maximum nozzle outer diameter, which will safely fit within the allowable component spacing, is 7 mm.

#### Lead Free Soldering

The 12 V Pico TLynx™ 6A modules are lead-free (Pb-free) and RoHS compliant and fully compatible in a Pb-free soldering process. Failure to observe the instructions below may result in the failure of or cause damage to the modules and can adversely affect long-term reliability.

#### Pb-free Reflow Profile

Power Systems will comply with J-STD-020 Rev. C (Moisture/Reflow Sensitivity Classification for Nonhermetic Solid State Surface Mount Devices) for both Pb-free solder profiles and MSL classification procedures. This standard provides a recommended forced-air-convection reflow profile based on the volume and thickness of the package (table 4-2). The suggested Pb-free solder paste is Sn/Ag/Cu (SAC). The recommended linear reflow profile using Sn/Ag Cu solder is shown in Fig. 51. Soldering outside of the recommended profile requires testing to verify results and performance.

#### MSL Rating

The 12V Pico TLynx™ 6A modules have a MSL rating of 2a.

#### Storage and Handling

The recommended storage environment and handling procedures for moisture-sensitive surface mount packages is detailed in J-STD- 033 Rev. A (Handling, Packing, Shipping and Use of Moisture/ Reflow Sensitive Surface Mount Devices). Moisture barrier bags (MBB) with desiccant are required for MSL ratings of 2 or greater. These sealed packages should not be broken until time of use. Once the original package is broken, the floor life of the product at conditions of ≤ 30°C and 60% relative humidity varies according to the MSL rating (see J-STD-033A). The shelf life for dry packed SMT packages will be a minimum of 12 months from the bag seal date, when stored at the following conditions: < 40° C, < 90% relative humidity.

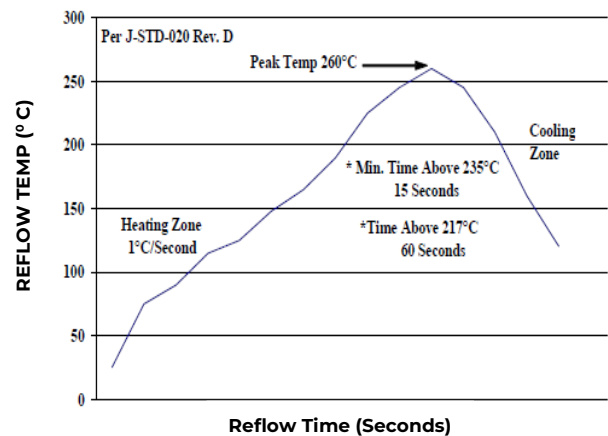


Figure 51. Recommended linear reflow profile using Sn/Ag/Cu solder.

#### Post Solder Cleaning and Drying Considerations

Post solder cleaning is usually the final circuit-board assembly process prior to electrical board testing. The result of inadequate cleaning and drying can affect both the reliability of a power module and the testability of the finished circuit-board assembly. For guidance on appropriate soldering, cleaning and drying procedures, refer to Board Mounted Power Modules: Soldering and Cleaning Application Note (AN04-001)..

## Technical Specifications (continued)

### Ordering Information

Please contact your OmniOn Sales Representative for pricing, availability and optional features.

Device Code	Input Voltage Range	Output Voltage	Output Current	On/Off Logic	Sequencing	Ordering Codes
APTS006A0X-SRZ	4.5 – 14V <sub>dc</sub>	0.59 – 5.5V <sub>dc</sub>	6A	Negative	Yes	CC109126026
APTS006A0X4-SRZ	4.5 – 14V <sub>dc</sub>	0.59 – 5.5V <sub>dc</sub>	6A	Positive	Yes	CC109126034
APXS006A0X-SRZ	4.5 – 14V <sub>dc</sub>	0.59 – 5.5V <sub>dc</sub>	6A	Negative	No	CC109126001
APXS006A0X4-SRZ	4.5 – 14V <sub>dc</sub>	0.59 – 5.5V <sub>dc</sub>	6A	Positive	No	CC109126018
APTS006A0X-62SRZ*	4.5 – 14V <sub>dc</sub>	0.59 – 5.5V <sub>dc</sub>	6A	Negative	Yes	CC109172755

\* Special codes, consult factory before ordering

**Table 6 Device Codes**

TLynx family	Sequencing feature.	Input voltage range	Output current	Output voltage	On/Off logic	Options	ROHS Compliance
<b>AP</b>	<b>T</b>	<b>S</b>	<b>006A0</b>	<b>X</b>	<b>4</b>	<b>-SR</b>	<b>Z</b>
	T = with Seq. X = w/o Seq.	S = 4.5 -14V	6.0A	X = programmable output	4 = positive No entry = negative	S = Surface Mount R = Tape & Reel	Z = ROHS

**Table 7. Coding Scheme**

### Contact Us

For more information, call us at

1-877-546-3243 (US)

1-972-244-9288 (Int'l)



## Change History (excludes grammar & clarifications)

Revision	Date	Description of the change
1.6	03/24/2022	Updated ROHS
1.7	11/21/2023	Updated as per OmniOn template

**OmniOn Power Inc.**

601 Shiloh Rd.  
Plano, TX USA

[omnionpower.com](http://omnionpower.com)

We reserve the right to make technical changes or modify the contents of this document without prior notice. OmniOn Power does not accept any responsibility for errors or lack of information in this document and makes no warranty with respect to and assumes no liability as a result of any use of information in this document.

We reserve all rights in this document and in the subject matter and illustrations contained therein. Any reproduction, disclosure to third parties or utilization of its contents – in whole or in parts – is forbidden without prior written consent of OmniOn Power. This document does not convey license to any patent or any intellectual property right. Copyright© 2023 OmniOn Power Inc. All rights reserved.