

CAR2548DC series dc - dc converter

Input: $-36V_{dc}$ to $-75V_{dc}$; Output: $48V_{dc}$ @ 2500W; $3.3V_{dc}$ or $5V_{dc}$ @ 1A

RoHS Compliant



Description

The CAR2548DC series of DC-DC Converters provide highly efficient isolated power from DC input mains in a compact 1U industry standard form factor in an unprecedented power density of $27W/in^3$. These converters complement the CAR2548FP rectifier providing comprehensive solutions for systems connected either to commercial ac mains, $48/60V_{dc}$ power plants or telecom central offices. This plug and play approach offers significant advantages since systems can be reconfigured and repositioned

readily by simply replacing the power supply. The high-density, front-to-back airflow is designed for minimal space utilization and is highly expandable for future growth. The industry standard PMBus compliant I²C communications buss offers a full range of control and monitoring capabilities. The SMBus Alert signal pin alerts customers automatically of any state change within the power supply.

Applications

- $48V_{dc}$ distributed power architectures
- Cellular Base Stations
- Satellite Hubs
- Network Equipment
- Network Attached Storage
- Telecom Access Nodes
- Routers/Switches/ATE Equipment

Features

- 3 front panel LEDs: 1-input;2-output; 3 - fault
- Output programmable from $43.2 - 56V_{dc}$
- Remote ON/OFF control of the $48V_{dc}$ output
- Remote sense (up to $0.25V$) on the $48V_{dc}$ output
- No minimum load requirements
- Redundant parallel operation
- Active load sharing (single wire)
- Efficiency: typically 91%
- Standby orderable either as $3.3V_{dc}$ or $5V_{dc}$
- Auto recoverable OC & OT protection
- Operating temperature: $-10 - 70^{\circ}C$ (de-rated above $50^{\circ}C$)
- Digital status & control: I²C and PMBus serial bus
- EN/IEC/UL62368-1 2nd edition; UL, CSA and VDE
- EMI: class B FCC docket 20780 part 15, EN55032
- Meets EN6100 immunity and transient standards
- Shock & vibration: NEBS GR-63-CORE, level 3
- Compliant to RoHS Directive 2011/65/EU and amended Directive (EU) 2015/863.
- Compliant to REACH Directive (EC) No 1907/2006

See Footnote on Page 16

Technical Specifications

Absolute Maximum Ratings

Stresses in excess of the absolute maximum ratings can cause permanent damage to the device. These are absolute stress ratings only, functional operation of the device is not implied at these or any other conditions in excess of those given in the operations sections of the data sheet. Exposure to absolute maximum ratings for extended periods can adversely affect the device reliability.

Parameter	Symbol	Min	Max	Unit
Input Voltage :Continues	V_{IN}	0	264	V_{AC}
Operating Ambient Temperature	T_A	-10	70 ¹	°C
Storage Temperature	T_{stg}	-40	85	°C
I/O Isolation voltage to Frame (100% factory Hi-Pot tested)			1500	V_{DC}

Electrical Specifications

Unless otherwise indicated, specifications apply over all operating input voltage, load, and temperature conditions.

INPUT						
Parameter	Symbol	Min	Typ	Max	Unit	
Operational Range	V_{IN}	-36	-48/60	-75	V_{DC}	
48V _{dc} output turned OFF				-36		
48V _{dc} output turned ON		-42	-45	-48		
Idling Power, 48V _{dc} output OFF	W			35	W	
48V _{dc} output ON				45		
Maximum Input Current ($V_{IN}=37.5V_{dc}$, $V_O=V_{O,set}$, $I_O=I_{O,max}$)	I_{IN}			75	A_{DC}	
Cold Start Inrush Current (Excluding x-caps, 25°C, <10ms, per ETSI 300-132)	I_{IN}			75	A_{PEAK}	
Efficiency ($T_{amb}=25^\circ C$, $V_{in}= -48V_{dc}$, $V_{out}= 48V_{dc}$); 100% load	η	90			%	
30 – 50% load		91				
20% load		87				
Holdup time ² ($V_{in}= -48V_{dc}$, $V_{out}= 48V_{dc}$, $T_{amb} 25^\circ C$, $I_O=I_{O,max}$)	T	4			ms	
Loss of Output Early Warning Signal	T	1			ms	
Isolation; Input/Output		1500			V_{DC}	
Input/Frame		1500			V_{DC}	
Output/Frame		1000			V_{DC}	
Input capacitance	F			25	μf	
48V _{DC} MAIN OUTPUT						
Parameter	Symbol	Min	Typ	Max	Unit	
Output power	P_{OUT}	0		2500	W	
Set point @ 50% load	V_{OUT}	47.5	48.00	48.5	V_{DC}	
Overall regulation (load, temperature, aging)		-2		+2	%	
Linear droop, NL to FL		0.1			V_{DC}	
Remote sense (sum of hot & return)					0.25	V_{DC}
Ripple and noise ³				500		mV _{p-p}

See Footnote on Page 16

Technical Specifications (continued)

Electrical Specifications (continued)

48V_{DC} MAIN OUTPUT (continued)					
Parameter	Symbol	Min	Typ	Max	Unit
Turn-ON overshoot	V _{OUT}			3	%
Turn-ON delay	T			2	sec
Remote ON/OFF delay time				40	ms
Turn-ON rise time (10 – 90% of V _{OUT})				50	ms
Transient response 50% step [10%-60%, 50% - 100%] (di/dt – 1A/μs, recovery 300μs)	V _{OUT}	-2		+2	V _{DC}
Programmable range (hardware & software)		43.2		56	V _{DC}
Overvoltage protection, latched* (recover by cycling OFF/ON via hardware or software)		58	59	60	V _{DC}
Output current, V _{out} = 48V _{dc}	I _{OUT}	0		52	A _{DC}
Power limit, V _{out} = 48 to 56V _{dc}	P _{OUT}	2500			W
Current limit, Hiccup (programmable level)	I _{OUT}	105		130	% of FL
Active current share		-5		+5	% of FL
External capacitance		0		5,000 ⁵	μf

STANDBY OUTPUT					
Parameter	Symbol	Min	Typ	Max	Unit
Set point	V _{out}		3.3 / 5.0		V _{dc}
Overall regulation (load, temperature, aging)	V _{out}	-5		+5	%
Ripple and noise				50	mV _{p-p}
Output current	I _{out}	0		1	A _{dc}

General Specifications

Parameter	Min	Typ	Max	Units	Notes
Reliability, at 25°C 50°C		250,000 100,000		Hours	Full load; MTBF per SR232 Reliability protection for electronic equipment, method I, case III,
Service Life		10		Years	Full load, excluding fans
Weight				Kgs/ (Lbs)	

Feature Specifications

Unless otherwise indicated, specifications apply over all operating input voltage, resistive load, and temperature conditions. See Feature Descriptions for additional information.

Parameter	Symbol	Min	Typ	Max	Unit
Remote ON/OFF (Needs to be pulled HI via an external					
Logic High (Module ON)	I _{IH}		-	20	μA
	V _{IH}	0.7V _{DD}	-	12	V _{DC}
Logic Low (Module OFF)	I _{IL}	-	-	1	mA
	V _{IL}	0	-	0.8	V _{DC}

See Footnote on Page 16

Technical Specifications (continued)

Feature Specifications (continued)

Parameter	Symbol	Min	Typ	Max	Unit
Output Voltage programming (V_{prog}) Equation: $V_{out} = 10.8 + (V_{prog} * 0.96)$					
V_{prog} range	V_{prog}	0	-	2.5	V_{DC}
Programmed output voltage range	V_o	10.8	-	13.2	V_{DC}
Voltage adjustment resolution (8-bit A/D)	V_o	-	10	-	mV _{DC}
Output configured to 13.2V _{dc}	V_{prog}	2.5	-	3.0	V_{DC}
Output configured to the 12V _{dc} set-point	V_{prog}	3.0	-	-	V_{DC}
Enable [short pin controlling presence of the 12V _{DC} output]					
12V output OFF	V_I	0.7V _{DD}	-	12	V_{DC}
12V output ON	V_I	0	-	0.4	V_{DC}
Write protect (Wp)					
Write protect enabled	V_I	0.7V _{DD}	-	12	V_{DC}
Write protect disabled	V_I	0	-	0.8	V_{DC}
INPUT-OK (Needs to be pulled HI via an external resistor)					
Logic High (Input within normal range)	I_{OH}	-	-	20	μA
	V_{OH}	0.7V _{DD}	-	12	V_{DC}
Logic Low (Input out of range)	I_{OL}	-	-	20	mA
	V_{OL}	0	-	0.4	V_{DC}
DC-OK (Internally connected to 3.3V via a 10k Ω resistor)					
Logic High (Output voltage is present)	I_{OH}	-	-	20	μA
	V_{OH}	0.7V _{DD}	-	12	V_{DC}
Logic Low (Output voltage is not present)	I_{OL}	-	-	20	mA
	V_{OL}	0	-	0.4	V_{DC}
Over Temperature Warning (Needs to be pulled HI via an external)					
Logic High (temperature within normal range)	I_{OH}	-	-	20	μA
	V_{OH}	0.7V _{DD}	-	12	V_{DC}
Logic Low (temperature is too high)	I_{OL}	-	-	20	mA
	V_{OL}	0	-	0.4	V_{DC}
Delayed shutdown after Logic Low transition	T_{delay}	10	-	-	sec
Fault (Needs to be pulled HI via an external resistor)					
Logic High (No fault is present)	I_{OH}	-	-	20	μA
	V_{OH}	0.7V _{DD}	-	12	V_{DC}
Logic Low (Fault is present)	I_{OL}	-	-	20	mA
	V_{OL}	0	-	0.4	V_{DC}
PS Present (Needs to be pulled HI via an external resistor)					
Logic High (Power supply is not plugged in)	I_{IL}	-	-	4	mA
Logic Low (Power supply is present)	V_{IL}	0	-	0.1	V_{DC}
SMBAlert# (Interrupt) (Needs to be pulled HI via an external)					
Logic High (No Alert - normal)	I_{OH}	-	-	20	μA
	V_{OH}	0.7V _{DD}	-	12	V_{DC}
Logic Low (Alert is set)	I_{OL}	-	-	20	mA
	V_{OL}	0	-	0.4	V_{DC}

See Footnote on Page 16

Technical Specifications (continued)

Feature Specifications (continued)

Parameter	Symbol	Min	Typ	Max	Unit
Output current monitor (I _{mon})					
Resolution			100		mV/A
Accuracy		-5		5	% of FL
Measurement range	I _o	0		52	A _{DC}
Analog output range	V _{mon}	0		5.2	V _{DC}
Sourced output current				5	mA _{DC}

Digital Interface Specifications

Parameter	Conditions	Symbol	Min	Typ	Max	Unit
PMBus Signal Interface Characteristics						
Input Logic High Voltage (CLK, DATA)		V _{IH}	2.1		3.6	V _{DC}
Input Logic Low Voltage (CLK, DATA)		V _{IL}	0		0.8	V _{DC}
Input high sourced current (CLK, DATA)		I _{IH}	0		10	μA
Output Low sink Voltage (CLK, DATA,	I _{OUT} =3.5mA	V _{OL}			0.4	V _{DC}
Output Low sink current (CLK, DATA,		I _{OL}	3.5			mA
Output High open drain leakage current (CLK, DATA, SMBALERT#)	V _{OUT} =3.6V	I _{OH}	0		10	μA
PMBus Operating frequency range	Slave Mode	F _{PMB}	10		400	kHz
Measurement System Characteristics						
Clock stretching		t _{STRETCH}			25	ms
I _{OUT} measurement range	Linear	I _{RNG}	0		52	A _{DC}
I _{OUT} measurement accuracy 25°C		I _{ACC}	-3		+3	% of FL
V _{OUT} measurement range	Linear	V _{OUT(rng)}	0		60	V _{DC}
V _{OUT} measurement accuracy		V _{OUT(acc)}	-3		+3	%
Temp measurement range	Linear	Temp _(rng)	0		120	°C
Temp measurement accuracy ⁶		Temp _(acc)	-5		+5	°C
I _{IN} measurement range	Linear	I _{IN(rng)}	0		80	A _{DC}
I _{IN} measurement accuracy		I _{IN(acc)}	-5		+5	%
V _{IN} measurement range	Linear	V _{IN(rng)}	0		80	V _{DC}
V _{IN} measurement accuracy		V _{IN(acc)}	-3		+3	%
P _{IN} measurement range	Linear	P _{IN(rng)}	0		3000	W
P _{IN} measurement accuracy		P _{IN(acc)}	-5		+5	%
Fan Speed measurement range	Linear		0		30k	RPM
Fan Speed measurement accuracy			-5		5	%
Fan speed control range	-direct-		0		100	%

See Footnote on Page 16

Technical Specifications (continued)

Environmental Specifications

Parameter	Min	Typ	Max	Units	Notes
Ambient Temperature	-10 ⁷		70	°C	Derated above 50°C
Storage Temperature	-40		85	°C	
Operating Altitude			2250/7382	m/ft	
Non-operating Altitude			8200/30k	m / ft	
Power Derating with Temperature			2.5	%/°C	50°C to 70°C
Power Derating with Altitude			2.0	C/301 m C/1000 ft	Above 2250 m/7382 ft
Acoustic noise			55	dbA	25°C, half load
Over Temperature Protection		110/95		°C	Shutdown / restart
Humidity Operating Storage	30 10		95 95	%	Relative humidity, non-condensing
Shock and Vibration acceleration			6	Grms	NEBS GR-63-CORE, Level 3, 20 - 2000Hz, min 30 minutes
Earthquake Rating	4			Zone	NEBS GR-63-CORE, all floors, Seismic Zone 4 Designed and tested to meet NEBS specifications.

EMC Compliance

Parameter	Criteria	Standard	Level	Test
DC input	Conducted emissions	EN55032, FCC Docket 20780 part 15, subpart J	A ⁸	0.15 – 30MHz
	Radiated emissions ⁹	EN55032	A	30 – 10000MHz
DC INPUT immunity	Voltage dips	EN61000-4-11	B	-30%, 10ms
			B	-60%, 100ms
			B	-100%, 5sec
	Voltage surge	EN61000-4-5, level 4	A	4kV, 1.2/50µs, common mode
A			2kV, 1.2/50µs, differential mode	
	Fast transients	EN61000-4-4, level 3	B	5/50ns, 2kV (common mode)
Enclosure immunity	Conducted RF fields	EN61000-4-6, level 3	A	130dBµV, 0.15-80MHz, 80% AM
	Radiated RF fields	EN61000-4-3, level 3	A	10V/m, 80-1000MHz, 80% AM
		ENV50140	A	
	ESD	EN61000-4-2, level 3	B	6kV contact, 8kV air

See Footnote on Page 16

Technical Specifications (continued)

Control and Status

Control hierarchy: Some features, such as output voltage, can be controlled both through hardware and firmware. For example, the output voltage is controlled both by the signal pin (V_{prog}) and the PMBus command, ($V_{out_command}$).

Using output voltage as an example; the V_{prog} signal pin has ultimate control of the output voltage until the V_{prog} is either $> 3V_{dc}$ or a no connect. When the programming signal via V_{prog} is either a no connect or $> 3V_{dc}$, it is ignored, the output voltage is set at its nominal $12V_{dc}$ and the unit output voltage can be controlled via the PMBus command, ($V_{out_command}$).

Analog controls: Details of analog controls are provided in this data sheet under Signal Definitions.

Common ground: All signals and outputs are referenced to Output return. These include 'Vstb return' and 'Signal return'.

Control Signals

Voltage programming (V_{prog}): An analog voltage on this signal can vary the output voltage from $43.2V_{dc}$ to $56V_{dc}$. The equation of this signal is:

$$V_{out} = 42.67 + (V_{prog} * 5.33) \text{ where } V_{prog} = 0.1 \text{ to } 2.5V$$

For $V_{prog} > 2.5V$ the output reverts back to $48V_{dc}$.

Load share (I_{share}): This is a single wire analog signal that is generated and acted upon automatically by power supplies connected in parallel. The I_{share} pins should be tied together for power supplies if active current share among the power supplies is desired. No resistors or capacitors should get connected to this pin.

Able to current share with CAR2548FP rectifiers.

Remote_ON/OFF: Controls presence of the $48V_{dc}$ output voltage. This is an open collector, TTL level control signal that needs to be pulled HI externally through a resistor.

A turn OFF command either through this signal (Remote ON/OFF) or firmware commanded would turn OFF the $48V$ output.

Enable: This is a short signal pin that controls the presence of the $48V_{dc}$ main output. This pin should be connected to 'output return' on the system side of the output connector. The purpose of this pin is to ensure that the output turns ON after engagement of the power blades and turns OFF prior to disengagement of the power blades.

Write protect (WP): This signal protects the contents of the EEPROM from accidental over writing. When left open the EEPROM is write protected. A LO (TTL compatible) permits writing to the EEPROM. This signal is pulled HI internally by the power supply.

Status signals

Output current monitor (Imon): A voltage level proportional to the delivered output current is present on this pin. The signal level is $0.1V$ per amp $\pm 0.25V$.

Input_OK: A TTL compatible status signal representing whether the input voltage is within the anticipated range. This signal needs to be pulled HI externally through a resistor.

DC_OK: A TTL compatible status signal representing whether the output voltage is present. This signal needs to be pulled HI externally through a resistor.

Over_temp_warning: A TTL compatible status signal representing whether an over temperature exists. This signal needs to be pulled HI externally through a resistor.

If an over temperature should occur, this signal would pull LO approximately 10 seconds prior to shutting down the power supply. The unit would restart if internal temperatures recover within normal operational levels. At that time the signal reverts back to its open collector (HI) state.

Fault: A TTL compatible status signal representing whether a Fault occurred. This signal needs to be pulled HI externally through a resistor.

This signal activates for OTP, OVP, OCP, INPUT fault or No output.

PS_Present: This pin is connected to 'output return' within the power supply. Its intent is to indicate to the system that a power supply is present. This signal may need to be pulled HI externally through a resistor.

Interrupt (SMBAlert): A TTL compatible status signal, representing the SMBusAlert# feature of the PMBus compatible i²C protocol in the power supply. This signal needs to be pulled HI externally through a resistor.

See Footnote on Page 16

Technical Specifications (continued)

Serial Bus Communications

The I²C interface facilitates the monitoring and control of various operating parameters within the unit and transmits these on demand over an industry standard I²C Serial bus.

All signals are referenced to ‘Signal Return’.

Device addressing: The microcontroller (MCU) and the EEPROM have the following addresses:

Device	Address	Address Bit Assignments (Most to Least Significant)							
MCU	0xBx	1	0	1	1	A2	A1	A0	R/W
Broadcast	0x00	0	0	0	0	0	0	0	0
EEPROM	0xAx	1	0	1	0	A2	A1	A0	R/W

The Global Broadcast instruction executes a simultaneous **write** instruction to all power supplies. A **read** instruction cannot be accessed globally. The three programmable address bits are the same for all I²C accessible devices within the power supply.

Address lines (A2, A1, A0): These signal pins allow up to eight (8) modules to be addressed on a single I²C bus. The pins are pulled HI internal to the power supply. For a logic LO these pins should be connected to ‘Output Return’

Serial Clock (SCL): The clock pulses on this line are generated by the host that initiates communications across the I²C Serial bus. This signal is pulled up internally to 3.3V by a 10kΩ resistor. The end user should add additional pull up resistance as necessary to ensure that rise and fall time timing and the maximum sink current is in compliance to the I²C specifications.

Serial Data (SDA): This line is a bi-directional data line. This signal is pulled up internally to 3.3V by a 10kΩ resistor. The end user should add additional pull up resistance as necessary to ensure that rise and fall time timing and the maximum sink current is in compliance to the I²C specifications.

Digital Feature Descriptions

PMBus™ compliance: The power supply is fully compliant to the Power Management Bus (PMBus™) rev1.2 requirements.

Manufacturer specific commands located between addresses 0xD0 to 0xEF provide instructions that either do not exist in the general PMBus specification or make the communication interface simpler and more efficient.

See Footnote on Page 16

Master/Slave: The ‘host controller’ is always the MASTER. Power supplies are always SLAVES. SLAVES cannot initiate communications or toggle the Clock. SLAVES also must respond expeditiously at the command of the MASTER as required by the clock pulses generated by the MASTER.

Clock stretching: The ‘slave’ μController inside the power supply may initiate clock stretching if it is busy and it desires to delay the initiation of any further communications. During the clock stretch the ‘slave’ may keep the clock LO until it is ready to receive further instructions from the host controller. The maximum clock stretch interval is 25ms.

The host controller needs to recognize this clock stretching, and refrain from issuing the next clock signal, until the clock line is released, or it needs to delay the next clock pulse beyond the clock stretch interval of the power supply.

Note that clock stretching can only be performed after completion of transmission of the 9th ACK bit, the exception being the START command.

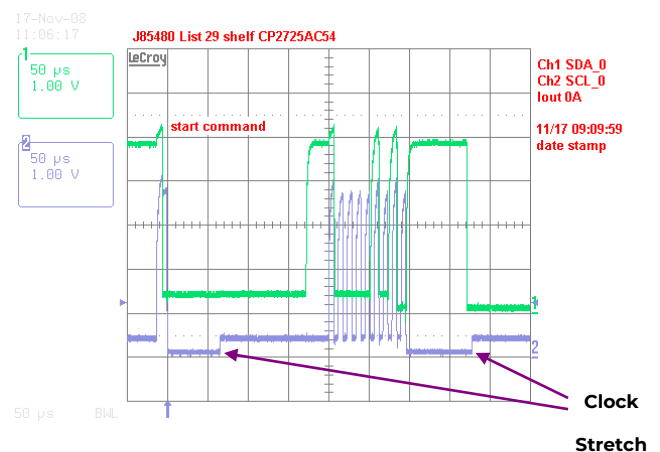


Figure 1. Example waveforms showing clock stretching.

I²C Bus Lock-Up detection: The device will abort any transaction and drop off the bus if it detects the bus being held low for more than 35ms.

Communications speed: Both 100kHz and 400kHz clock rates are supported. The power supplies default to the 100kHz clock rate. The minimum clock speed specified by SMBus is 10 kHz.

Technical Specifications (continued)

Digital Feature Descriptions (continued)

Packet Error Checking (PEC): Although the power supply will respond to commands with or without the trailing PEC, it is highly recommended that PEC be used in all communications. The integrity of communications is compromised if packet error correction is not employed. There are many functional features, including turning OFF the main output, that should require validation to ensure that the correct command is executed.

PEC is a CRC-8 error-checking byte, based on the polynomial $C(x) = x^8 + x^2 + x + 1$, in compliance with PMBus™ requirements. The calculation is based in all message bytes, including the originating write address and command bytes preceding read instructions. The PEC is appended to the message by the device that supplied the last byte.

SMBAlert#: The μ C driven SMBAlert# signal informs the 'master/host' controller that either a STATE or ALARM change has occurred. Normally this signal is HI. The signal will change to its LO level if the power supply has changed states and the signal will be latched LO until the power supply either receives a 'clear' instruction as outlined below or executes a READ STATUS_WORD. If the alarm state is still present after the STATUS registers were reset, then the signal will revert back into its LO state again and will latch until a subsequent reset signal is received from the host controller.

The signal will be triggered for any state change, including the following conditions;

- V_{IN} under or over voltage
- V_{OUT} under or over voltage
- I_{OUT} over current
- Over Temperature warning or fault
- Fan Failure
- Communication error
- PEC error
- Invalid command
- Detected internal faults

The power supply will clear the SMBAlert# signal (release the signal to its HI state) upon the following events:

- Receiving a CLEAR_FAULTS command
- The main output recycled (turned OFF and then ON) via the ENABLE signal pin
- The main output recycled (turned OFF and then ON) by the OPERATION command
- Execution of a READ of the STATUS_WORD register

See Footnote on Page 16

Global broadcast: This is a powerful command because it can instruct all power supplies to respond simultaneously in one command. But it does have a serious disadvantage. Only a single power supply needs to pull down the ninth acknowledge bit. To be certain that each power supply responded to the global instruction, a READ instruction should be executed to each power supply to verify that the command properly executed. The GLOBAL BROADCAST command should only be executed for write instructions to slave devices.

Read back delay: The power supply issues the SMBAlert # notification as soon as the first state change occurred. During an event a number of different states can be transitioned to before the final event occurs. If a read back is implemented rapidly by the host a successive SMBAlert# could be triggered by the transitioning state of the power supply. In order to avoid successive SMBAlert# s and read back and to avoid reading a transitioning state, it is prudent to wait more than 2 seconds after the receipt of an SMBAlert# before executing a read back. This delay will ensure that only the final state of the power supply is captured.

Successive read backs: Successive read backs to the power supply should not be attempted at intervals faster than every one second. This time interval is sufficient for the internal processors to update their data base so that successive reads provide fresh data.

PMBus™ Commands

Standard instruction: Up to two bytes of data may follow an instruction depending on the required data content. Analog data is always transmitted as LSB followed by MSB. PEC is optional and includes the address and data fields.

1	8	1	8	1
S	Slave address	Wr	A	Command Code
				A

8	1	8	1	8	1	1
Low data byte	A	High data byte	A	PEC	A	P

Technical Specifications (continued)

PMBus™ Commands (continued)

□ Master to Slave □ Slave to Master

SMBUS annotations; S – Start, Wr – Write, Sr – re-Start, Rd – Read,

A – Acknowledge, NA – not-acknowledged, P – Stop

Standard READ: Up to two bytes of data may follow a READ request depending on the required data content. Analog data is always transmitted as LSB followed by MSB. PEC is mandatory and includes the address and data fields.

1	7	1	1	8	1
S	Slave address	Wr	A	Command Code	A

1	7	1	1	8	1
Sr	Slave address	Rd	A	LSB	A

8	1	8	1	1
MSB	A	PEC	No-ack	P

Block communications: When writing or reading more than two bytes of data at a time BLOCK instructions for WRITE and READ commands must be used instead of the Standard Instructions **Error!** **Reference source not found.** write any number of bytes greater than two.

Block write format:

1	7	1	1	8	1
S	Slave address	Wr	A	Command Code	A

8	1	8	1	8	1
Byte count = N	A	Data 1	A	Data 2	A

8	1	8	1	8	1	1
.....	A	Data 48	A	PEC	A	P

Block read format:

1	7	1	1	8	1
S	Slave address	Wr	A	Command	A

1	7	1	1
Sr	Slave address	Rd	A

See Footnote on Page 16

8	1	8	1	8	1
Byte count = N	A	Data 1	A	Data 2	A

8	1	8	1	8	1	1
.....	A	Data 48	A	PEC	NoAck	P

Linear Data Format: The definition is identical to Part II of the PMBus Specification. All standard PMBus values, with the exception of output voltage related functions, are represented by the linear format described below. Output voltage functions are represented by a 16 bit mantissa. Output voltage has an E=9 constant exponent. The Linear Data Format is a two byte value with an 11-bit, two's complement mantissa and a 5-bit, two's complement exponent or scaling factor, its format is shown below.

Data Byte High											Data Byte Low										
Bit	7	6	5	4	3	2	1	0	7	6	5	4	3	2	1	0					
	Exponent (E)								Mantissa (M)												

The relationship between the Mantissa, Exponent, and Actual Value (V) is given by the following equation:

$$V = M * 2^E, \text{ where: } V \text{ is the value, } M \text{ is the 11-bit, 2's complement mantissa, } E \text{ is the 5-bit, two's complement exponent}$$

PMBus™ Command set:

Command	Hex Code	Data Byte	Function
Operation	01	1	Output ON/OFF
ON_OFF_config	02	1	09, output ON
Clear_faults	03	0	Clear Status
Write_protect	10	1	Write control
Store_default_all	11	0	Store permanently
Restore_default_all	12	0	Reset defaults
Capability	19	1	30h, 400kHz,
Vout_mode	20	1	Vout constants
Vout_command	21	2	Set Vout
Vout_OV_fault_limit	40	2	Set OV fault limit
Vout_OV_fault_response	41	1	
Vout_OV_warn_limit	42	2	Set OV warn limit
Vout_UV_warn_limit	43	2	Set UV warn limit
Vout_UV_fault_limit	44	2	
Vout_UV_fault_response	45	1	
Iout_OC_fault_limit	46	2	
Iout_OC_fault_response	47	1	Latch or hiccup
Iout_OC_warn_limit	4A	2	Set OC warn limit
OT_fault_limit	4F	2	

Technical Specifications (continued)

PMBus™ Command set (continued)

Command	Hex Code	Data Field	Function
OT_fault_response	50	1	Latch or hiccup
OT_warn_limit	51	2	Set OT warn limit
UT_warn_limit	52	2	
UT_fault_limit	53	2	
UT_fault_response	54	1	
Vin_OV_fault_limit	55	2	
Vin_OV_warn_limit	57	2	Set OV warn limit
Vin_UV_warn_limit	58	2	Set UV warn limit
Vin_UV_fault_limit	59	2	Set UV shutdown
Status_byte	78	1	
Status_word	79	2	
Status_Vout	7A	1	
Status_lout	7B	1	
Status_input	7C	1	
Status_temperature	7D	1	
Status_CML	7E	1	
Status_other	7F	1	
Status_mfr_specific	80	1	
Status_fan_1_2	81	1	
Read_Vout	8B	2	Read output voltage
Read_lout	8C	2	Read output current
Read_temperature	8D	2	Temperature in deg C
Read_Pout	96	2	
PMBus revision	98	1	
Mfr_ID	99	5	FRU_ID
Mfr_model	9A	15	
Mfr_revision	9B	4	
Mfr_location	9C	4	
Mfr_date	9D	6	
Mfr_serial	9E	15	
Mfr_Vin_min	A0	2	
Mfr_Vin_max	A1	2	75V (linear format)
Mfr_lin_max	A2	2	27A (linear format)
Mfr_Pin_max	A3	2	950W (linear format)
Mfr_Vout_min	A4	2	10V (linear format)
Mfr_Vout_max	A5	2	15V (linear format)
Mfr_lout_max	A6	2	71A (linear format)
Mfr_Pout_max	A7	2	850W (linear format)
Mfr_Tambient_max	A8	2	70C (linear format)
Mfr_Tambient_min	A9	2	-10C (linear format)
User_data_00	B0	48	User memory space
User_data_01	B1	48	User memory space
FRW_revision	D0	1	
Ilimit_control_I ² C	D3	2	Ilimit set (1/100A)
Vout_control_I ² C	D4	2	Vout set (1/512V)
Fan_duty_cycle	D6	1	Duty_cycle in %
Fan_speed	D7	1	Control in duty cycle
Vprog_ext	D8	2	
Read_Vout_I ² C	E0	2	1/512V
Read_lout_I ² C	E1	2	1/100A
Read_TS_I ² C	E2	2	Heat sink temp °C
CMD_OFF_I ² C	E3	2	01-OFF, 00-ON

See Footnote on Page 16

Command	Hex Code	Data Field	Function
OTF_limit_I ² C	E4	2	OT fault limit °C
OTF_recovery_I ² C	E5	2	OT fault recovery °C
DCOKHI_I ² C	E6	2	High OV fault
DCOKLO_I ² C	E7	2	Low OV fault

Status Register Bit Allocation:

Register	Code	Bit	Function
Status_Byte	78	7	Busy
		6	DC_OFF
		5	Output OV Fault detected
		4	Output OC Fault detected
		3	Input UV Fault detected
		2	Temperature Fault/warning detected
		1	CML (communication fault) detected
		0	None of Below
Status_word (includes Status_byte)	79	7	OV Fault/Warning detected
		6	OC Fault/Warning detected
		5	Input Fault/Warning detected
		4	Mfr_specific register change detected
		3	DC_OFF
		2	Fan Fault or Warning detected
		1	Other fault
		0	Unknown
Status_Vout	7A	7	Vout OV Fault
		6	Vout OV Warning
		5	Vout UV Warning
		4	Vout UV Fault
		3	N/A
		2	N/A
		1	N/A
		0	N/A
Status_lout	7B	7	IOUT OC Fault
		6	N/A
		5	IOUT OC Warning
		4	N/A
		3	N/A
		2	N/A
		1	N/A
		0	N/A
Status_input	7C	7	Vin OV Fault
		6	Vin OV Warning
		5	Vin UV Warning
		4	Vin UV Fault
		3	N/A
		2	N/A
		1	N/A
		0	N/A

Technical Specifications (continued)

Status Register Bit Allocation (continued)

Register	Code	Bit	Function
Status_temperature	7D	7	OT Fault
		6	OT Warning
		5	N/A
		4	N/A
		3	N/A
		2	N/A
		1	N/A
Status_cml	7E	7	Invalid/Unsupported Command
		6	Invalid/Unsupported Data
		5	Packet Error Check Failed
		4	Memory Fault Detected
		3	Processor Fault Detected
		2	Reserved
		1	Other Communications Fault
		0	Other Memory or Logic Fault
Status_mfr_specific	80	7	3.3V_fault
		6	N/A
		5	Interrupt
		4	Fault detected
		3	PS_remote_OFF
		2	DC_fault
		1	INPUT_fault
0	N/A		
Status_Fans_1_2	81	7	N/A (always 0)
		6	N/A (always 0)
		5	N/A (always 0)
		4	N/A (always 0)
		3	Fan 1 (1 = speed overridden)
		2	Fan 2 (1 = speed overridden)
		1	N/A (always 0)
0	N/A (always 0)		

Command Descriptions

Operation (01) : By default the Power supply is turned **ON** at power up as long as Power ON/OFF signal pin is active HI. The Operation command is used to turn the Power Supply ON or OFF via the PMBus. The data byte below follows the OPERATION command.

FUNCTION	DATA BYTE
Unit ON	80
Unit OFF	00

To **RESET** the power supply, cycle the power supply OFF, wait at least 2 seconds, and then turn back ON. All alarms and shutdowns are cleared during a restart.

Clear_faults (03): This command clears all STATUS and FAULT registers and resets the SMBAlert# line.

If a fault still persists after the issuance of the clear_faults command the specific registers indicating the fault are reset and the SMBAlert# line is activated again.

WRITE_PROTECT register (10): Used to control writing to the PMBus device. The intent of this command is to provide protection against accidental changes. All supported command parameters may have their parameters read, regardless of the write_protect settings. The contents of this register can be stored to non-volatile memory using the Store_default_code command. The default setting of this register is disable_all_writes except write_protect 0x80h.

FUNCTION	DATA BYTE
Enable all writes	00
Disable all writes except write_protect	80
Disable all writes except write_protect and OPERATION	40

Vout_Command (21): This command is used to change the output voltage of the power supply. Changing the output voltage should be performed simultaneously to all power supplies operating in parallel using the Global Address (Broadcast) feature. If only a single power supply is instructed to change its output, it may attempt to source all the required power which can cause either a power limit or shutdown condition.

Software programming of output voltage permanently overrides the set point voltage configured by the **V_{prog}** signal pin. The program no longer looks at the '**V_{prog}** pin' and will not respond to any hardware voltage settings. If power is removed from the μ Controller it will reset itself into its default configuration looking at the **V_{prog}** signal for output voltage control. In many applications, the **V_{prog}** pin is used for setting initial conditions, if different than the factory setting. Software programming then takes over once I2C communications are established.

To properly hot-plug a power supply into a live backplane, the system generated voltage should get re-configured into either the factory adjusted firmware level, or the voltage level reconfigured by the margin pin. Otherwise, the voltage state of the plugged-in power supply could be significantly different than the powered system.

Technical Specifications (continued)

Command Descriptions (continued)

Vout_OV_warn_limit (42): OV_warning is extremely useful because it gives the system controller a heads up that the output voltage is drifting out of regulation and the power supply is close to shutting down. Pre-emptive action may be taken before the power supply would shut down and potentially disable the system.

OC and OT_fault_response (47, 50): The default response for both OC and OT is auto-restart (hiccup). Each register, individually, can be reconfigured into a latched state. Latched and hiccup are the only supported states.

Restart after a latch off: Either of four restart possibilities are available. The hardware pin **Remote ON/OFF** may be turned OFF and then ON. The unit may be commanded to restart via i2c through the Operation command by first turning OFF then turning ON. The third way to restart is to remove and reinsert the unit. The fourth way is to turn OFF and then turn ON AC power to the unit. The fifth way is by changing firmware from **latch off** to **restart**. Each of these commands must keep the power supply in the OFF state for at least 2 seconds, with the exception of changing to **restart**.

A power system that is comprised of a number of power supplies could have difficulty restarting after a shutdown event because of the non-synchronized behavior of the individual power supplies. Implementing the latch-off mechanism permits a synchronized restart that guarantees the simultaneous restart of the entire system.

A synchronous restart can be implemented by;

1. Issuing a GLOBAL OFF and then ON command to all power supplies,
2. Toggling Off and then ON the Remote ON/OFF signal
3. Removing and reapplying input commercial power to the entire system.

The power supplies should be turned OFF for at least 20 – 30 seconds in order to discharge all internal bias supplies and reset the soft start circuitry of the individual power supplies.

Auto_restart: Auto-restart is the default configuration for recovering from over-current and over-temperature shutdowns.

An overvoltage shutdown is followed by three attempted restarts, each restart delayed 1 second, within a 1 minute window. If within the 1 minute window three attempted restarts failed, the unit will latch OFF. If less than 3 shutdowns occur within the 1 minute window then the count for latch OFF resets and the 1 minute window starts all over again.

Vin_UV_warn_limit (58): This is another warning flag indicating that the input voltage is decreasing dangerously close to the low input voltage shutdown level.

Status_word (79): returns two bytes of information. The upper byte bit functionality is tabulated in the Status_word section. The lower byte bit functionality is identical to Status_byte.

Fan_speed (D7): This register can be used to 'read' the fan speed in adjustment percent (0 – 100%) or set the fan speed in adjustment percent (0 – 100%). The speed of the fan cannot be reduced below what the power supply requires for its operation. The register value is the percent number, it is not in linear format.

Invalid commands or data: The power supply notifies the MASTER if a non-supported command has been sent or invalid data has been received. Notification is implemented by setting the appropriate STATUS and ALARM registers and setting the SMBAlert# flag.

If a non-supported read is requested the power supply will return all 0x00h.

Restart after a lachoff: To restart after a latch_off either of four restart mechanisms are available. The hardware pin **Remote ON/OFF** may be turned OFF and then ON. The unit may be commanded to restart via i2c through the Operation command by first turning OFF then turning ON. The third way to restart is to remove and reinsert the unit. The fourth way is to turn OFF and then turn ON AC power to the unit. The fifth way is by changing firmware from **latch off** to **restart**. Each of these commands must keep the power supply in the OFF state for at least 2 seconds, with the exception of changing to **restart**.

A successful restart shall clear all alarm registers.

A power system that is comprised of a number of power supplies could have difficulty restarting after a shutdown event because of the non-synchronized behavior of the individual power supplies. Implementing the latch-off mechanism permits a synchronized restart that guarantees the simultaneous restart of the entire system.

See Footnote on Page 16

Technical Specifications (continued)

Command Descriptions (continued)

A synchronous restart can be implemented by;

1. Issuing a GLOBAL OFF and then ON command to all power supplies,
2. Toggling Off and then ON the **Remote ON/OFF** signal
3. Removing and reapplying input commercial power to the entire system.

It is good practice to turn OFF the power supplies for about 20 – 30 seconds in order to discharge all internal bias supplies and reset the soft start circuitry of the individual power supplies.

Control and Read accuracy:

The estimates below are believed to be reasonable under most operating conditions. However, these are typical numbers and not hard bound values that cannot be exceeded. In most nominal operating conditions, the returned values are significantly better than these estimates.

FUNCTION	ACCURACY
Vout_command	± 2%
Vout_OV_fault_limit	± 3%
Iout_OC_warn_limit	± 4% of FL
OT_warn_limit	± 5°C
Vin_UV_warn_limit	± 3%
Vin_UV_fault_limit	± 3%
Read_Vout	± 2%
Read_Iout	± 4% of FL
Read_temperature	± 5°C
Read_Pout	±5%

EEPROM

The microcontroller has 96 bytes of EEPROM memory available for the system host.

A separate EEPROM IC, with write protect features, provides another 128 bytes of memory. This EEPROM contains the following FRU_ID information:

EEPROM: model number, revision, date code, serial number etc.

Offset	Length	Value	Description
00	7		Serial number
07	1	20	ASCII space
08	4		Date code [YY, WW], ASCII
0C	1	20	ASCII space
0D	17		Model#, ASCII alphanumeric
1E	1	20	ASCII space
1F	1		Revision, ASCII value
20-FF	224	FF	

LEDs

Three LEDs are located on the front faceplate. When the LEDs are ON GREEN then input and output are normal.

When the FAULT_LED is RED then a fault condition exists, and the power supply may not provide output power. The table below further defines these states:

Alarm Table

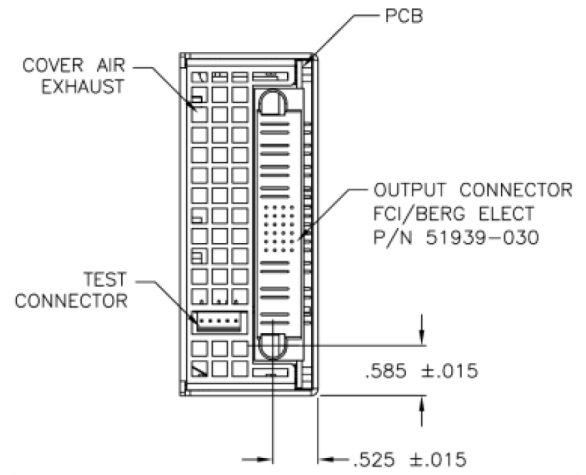
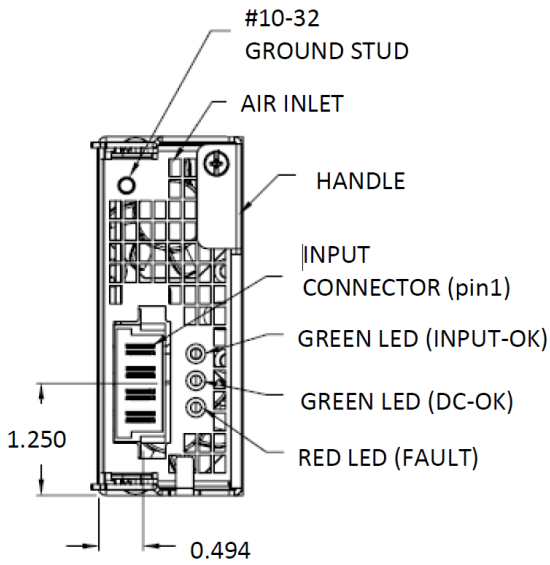
Test Condition	LED Indicator			Monitoring Signals			
	INPUT OK	DC OK	FAULT	FAULT	DC OK	INPUT OK	TEMP OK
1 Normal Operation	Green	Green	OFF	High	High	High	High
2 Low or NO INPUT	OFF	OFF	Red	Low	Low	Low	High
3 OVP	Green	OFF	Red	Low	Low	High	High
4 Over Current	Green	OFF	Red	Low	Low	High	High
5 Over Temp Alarm	Green	Green	Red	Low	High	High	Low
6 Over Temp Fault	Green	OFF	Red	Low	Low	High	Low

Note: Test condition #2 has 2 modules working in parallel. One module is running and the other has no INPUT.

See Footnote on Page 16

Technical Specifications (continued)

Outline Drawing

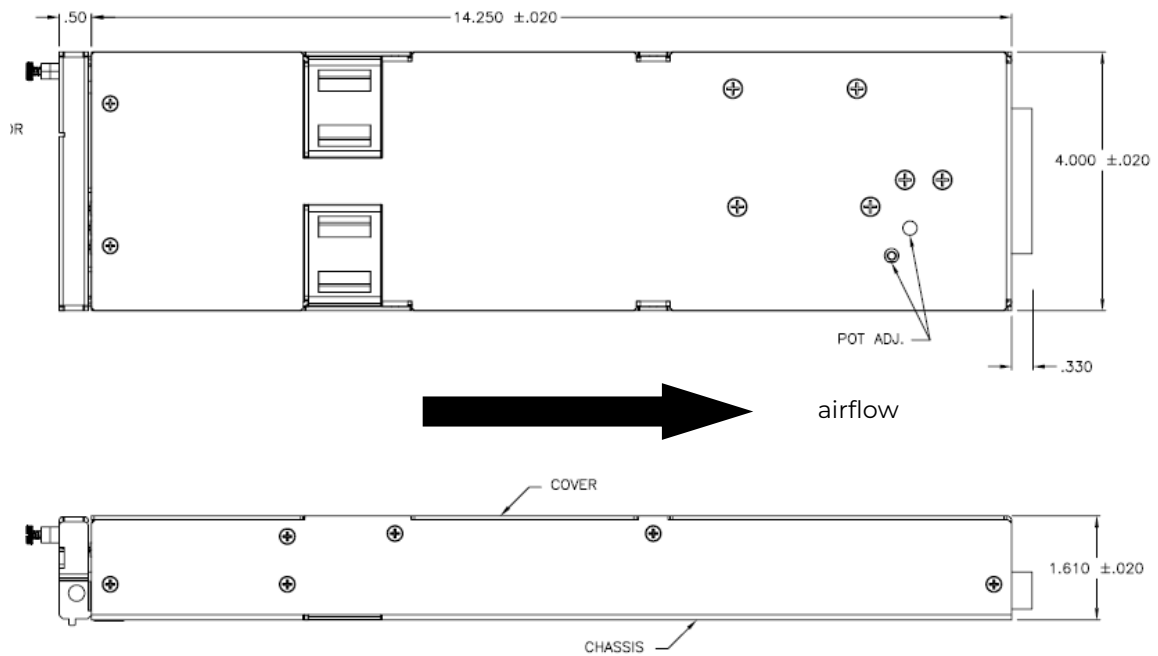


Input connector: FCI Berg 51939-311 or TYCO 6450129-3

Output connector: FCI Berg 51939-030

Output mate: FCI Berg 51915-051

Input mate: FCI Berg 10080594-1E0101LF¹⁰

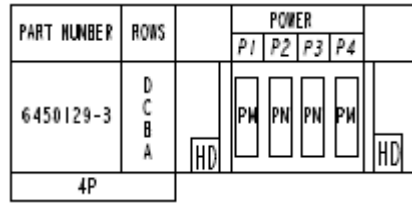


See Footnote on Page 16

Technical Specifications (continued)

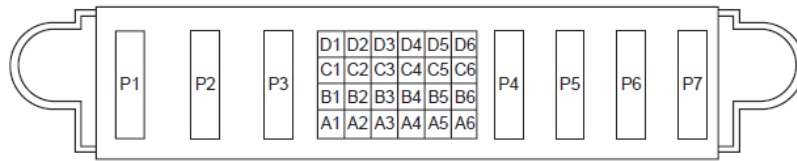
Connector Pin Assignments

Input



Pin	Function	Pin	Function
P1	- DC input	P3	+ DC input
P2	- DC input	P4	+ DC input

Output



Pin	Function	Pin	Function	Pin	Function	Pin	Function
A1	Vstb [3.3V]	B1	Fault	C1	ISHARE	D1	VProg
A2	Vstb [3.3V] Return	B2	I Monitor (IMON)	C2	N/C	D2	OVP Test Point
A3	Signal Return	B3	PS Present	C3	Over Temp Warning	D3	Remote ON/OFF
A4	Write Protect (WP)	B4	Enable	C4	I ² C Address (A0)	D4	DC OK
A5	Remote Sense (+)	B5	SDA (I ² C bus)	C5	I ² C Address (A1)	D5	INPUT OK
A6	Remote Sense (-)	B6	SCL (I ² C bus)	C6	I ² C Address (A2)	D6	SMBAlert
P1	N/C	P2	N/C	P3	N/C		
P4	+Vout	P5	+Vout	P6	Output Return	P7	Output Return

FOOTNOTES

- * UL is a registered trademark of Underwriters Laboratories, Inc.
- † CSA is a registered trademark of Canadian Standards Association.
- ‡ VDE is a trademark of Verband Deutscher Elektrotechniker e.V.
- § Intended for integration into end-user equipment. All the required procedures for CE marking of end-user equipment should be followed. (The CE mark is placed on selected products.)
- ** ISO is a registered trademark of the International Organization of Standards.
- † PMBus name and logo are registered trademarks of the System Management Interface Forum (SMIF)
- ¹ Derated above 50°C at 2.5%/°C
- ² Full load w/5,000µf external output capacitance, Output may drop down to 44V_{dc}.
- ³ Measured across a 10µf tantalum and a 0.1µf ceramic capacitors in parallel. 20MHz bandwidth
- ⁴ The power supply will attempt three restarts prior to latching the shutdown level.
- ⁵ 4,000µf electrolytic and 1,000µf tantalum capacitors
- ⁶ Temperature accuracy reduces non-linearly with decreasing temperature
- ⁷ Designed to start at an ambient down to -40°C; meet spec after 30 min warm up period, may not meet operational limits below -10°C.
- ⁸ Class B EMI conducted and radiated levels met with an external filter. Please contact sales for a recommended filter.
- ⁹ Radiated emissions compliance is contingent upon the final system configuration.
- ¹⁰ This is a cable harness with 10 foot of #10ga stranded wire (2 – black and 2 – red) not-terminated on user end

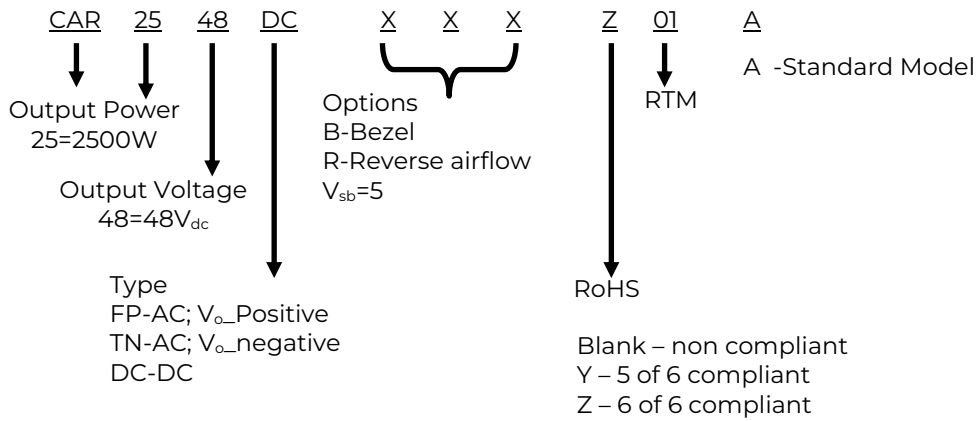
Technical Specifications (continued)

Ordering Information

Please contact your OmniOn Sales Representative for pricing, availability and optional features.

PRODUCT	DESCRIPTION	PART NUMBER
2500W converter	48Vdc dc-dc converter w/Bezel, 3.3Vaux	CAR2548DCXXXZ01A
10KW SHELF	Shelf for CAR2548 modules. It holds up to 4 units	ACE254RUW48XZ01A

PART NUMBER DEFINITION GUIDE EXAMPLE



Contact Us

For more information, call us at

+1-877-546-3243 (US)

+1-972-244-9288 (Int'l)

Change History (excludes grammar & clarifications)

Revision	Date	Description of the change
7.3	01/06/2022	Updated as per template and upgraded RoHS
7.4	12/18/2023	Updated as per OmniOn template

OmniOn Power Inc.

601 Shiloh Rd.
Plano, TX USA

omnionpower.com

We reserve the right to make technical changes or modify the contents of this document without prior notice. OmniOn Power does not accept any responsibility for errors or lack of information in this document and makes no warranty with respect to and assumes no liability as a result of any use of information in this document.

We reserve all rights in this document and in the subject matter and illustrations contained therein. Any reproduction, disclosure to third parties or utilization of its contents – in whole or in parts – is forbidden without prior written consent of OmniOn Power. This document does not convey license to any patent or any intellectual property right. Copyright© 2023 OmniOn Power Inc. All rights reserved.